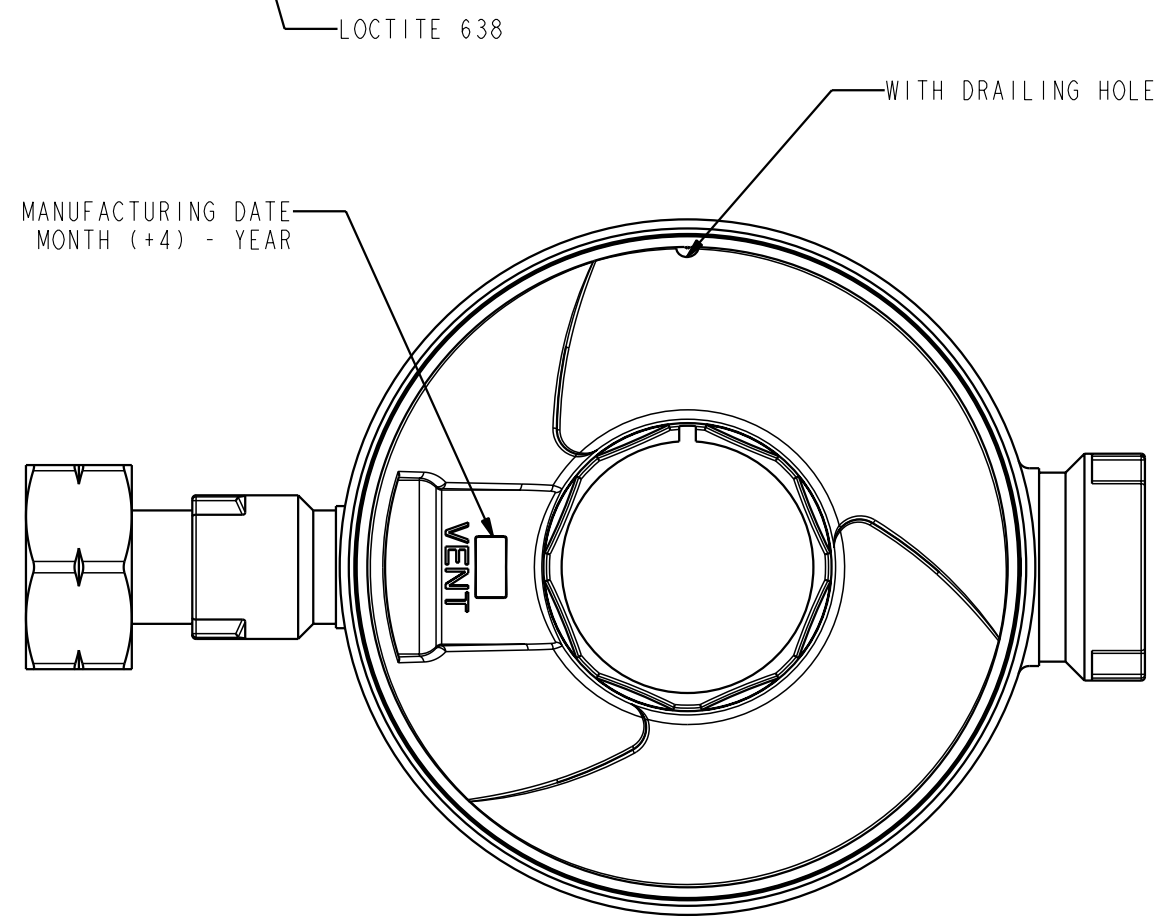
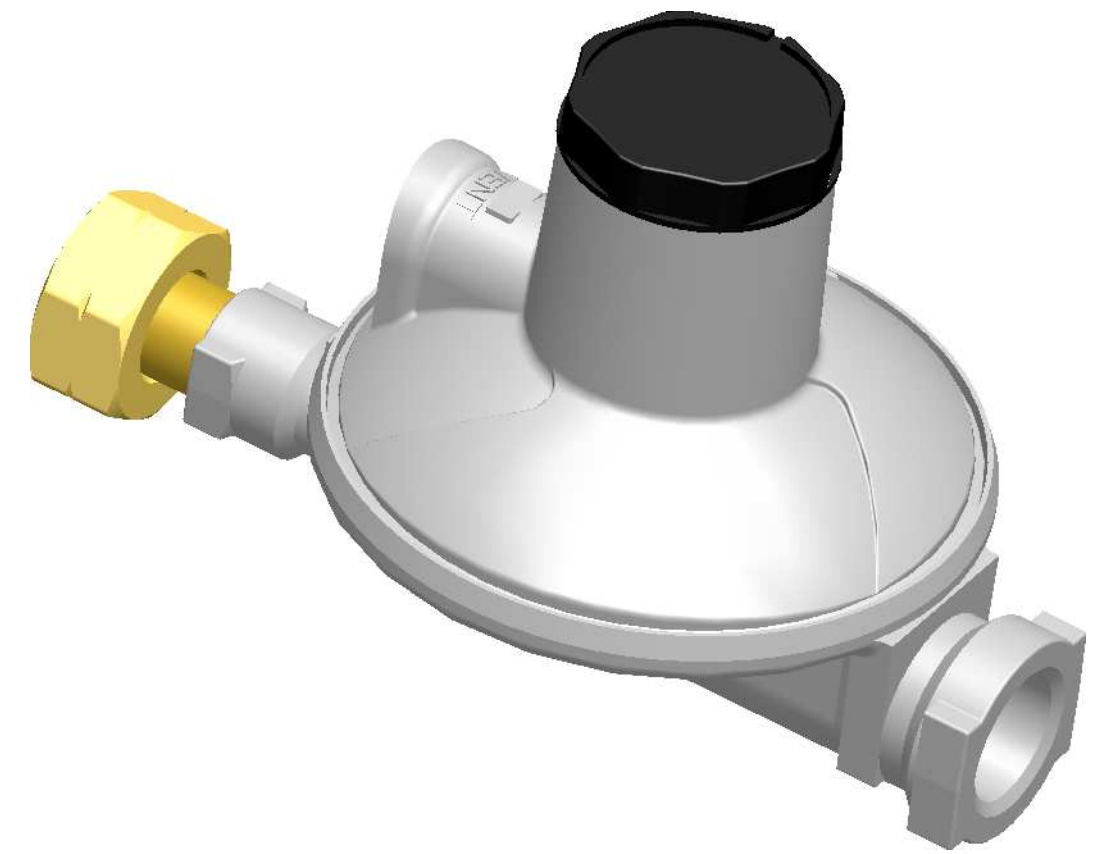
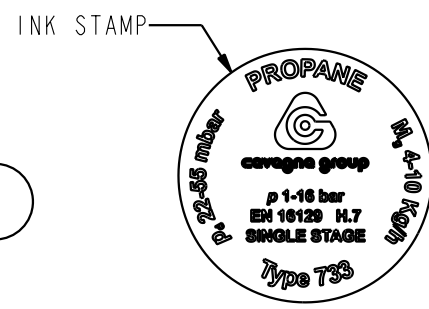
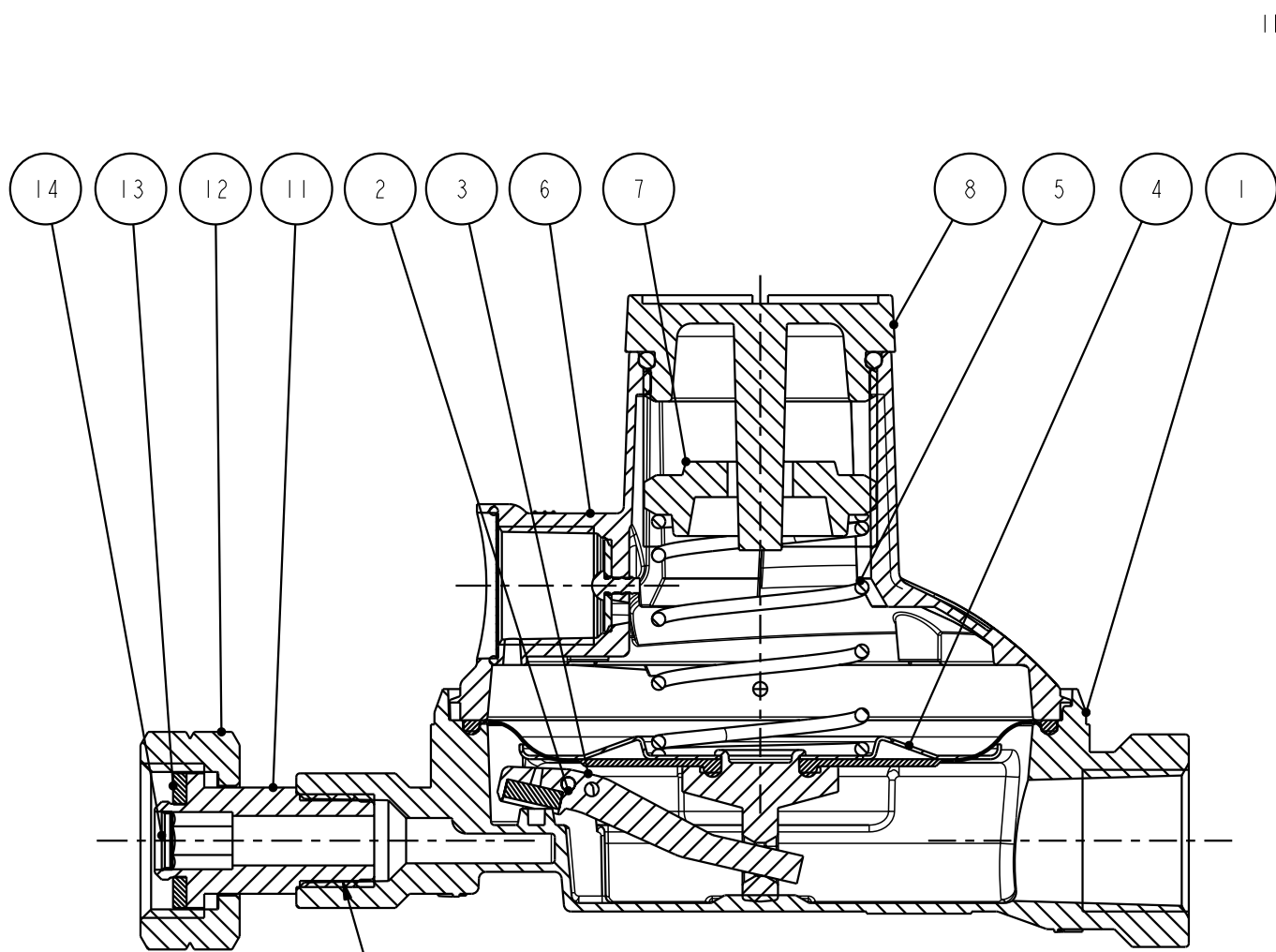



This drawing may not be copied or distributed in any way without the written permission of Cavagna Group Div. RE.CA. Via Matteotti, 5 - Calvisano - BS - Italy



NO	NO PRODUCT	DENOMINATION	Q.TY
1	00-1-150-0646	MACHINED BODY TYPE 73 G1/4 - G1/2 - REPORT K-1/6	1
2	05-4-110-0020	PIN-LEVER	1
3	02-4-950-0005	S/I LEVETTA MOD.73 USA	1
4	09-4-950-0034	S/I MEMBRANA MOD.73-EUR	1
5	07-1-110-0600	SPRING FOR TYPE 738 22±55 mbar	1
6	01-1-950-0086	S/A COVER FOR REGULATOR TYPE 738 WITH FILTER	1
7	08-4-110-0032	SPRING ADJUSTER	1
8	19-4-950-0022	S/I TAPPO MOD.73 USA	1
9	18-1-310-0753	INK STAMP FOR TYPE 738	2
10	24-1-110-0001	WHITE ALUMINIUM RAL 9006	1
11	16-1-110-0986	FITTING G 1/4	1
12	10-1-110-0026	UNION NUT W21.8x1/14" SIN	1
13	04-1-110-0043	GUARNIZIONE	1
14	16-1-110-1006	FILTER-STANDARD Ø8.5 x 1.5TK	1
15	34-1-110-1181	INSTRUCTION FOR SINGLE STAGE ADJUSTABLE TYPE 733 - 738	1
16	23-1-210-0221	IMBALLO REGOLATORE INDIVIDUALE	1
17	23-1-510-0024	STANDARD BOX (R52)	1

	DENOMINATION		PROPANE 22-55 mbar 4-10 Kg/h				
	SINGLE STAGE REGULATOR TYPE 733		N.A.				
RECA	MODEL 738	ORIFICE 3.2	INLET W21.8X1/14" FEMALE L.H.		OUTLET G 1/2 FEMALE	SHARED N.A.	PROD. INT. GROUP -
PERFORMANCE DOC. 73-072	COUNTRY RUSSIA	COUNTRY SPECIFIC EN16129	WEIGHT N.A.	SCALE 1:1	MODIFY FILE N.A.	PRODUCT NO 73-1-390-0005	
PROV. EVOLUTION DEFINITIVE	PROJECT NO DS05360	RELEASE LEVEL APPROVED	DRAWN BY PEDRETTI A.	VERIFIED BY -	APPROVED BY -	DATE 14/12/15	REV 1