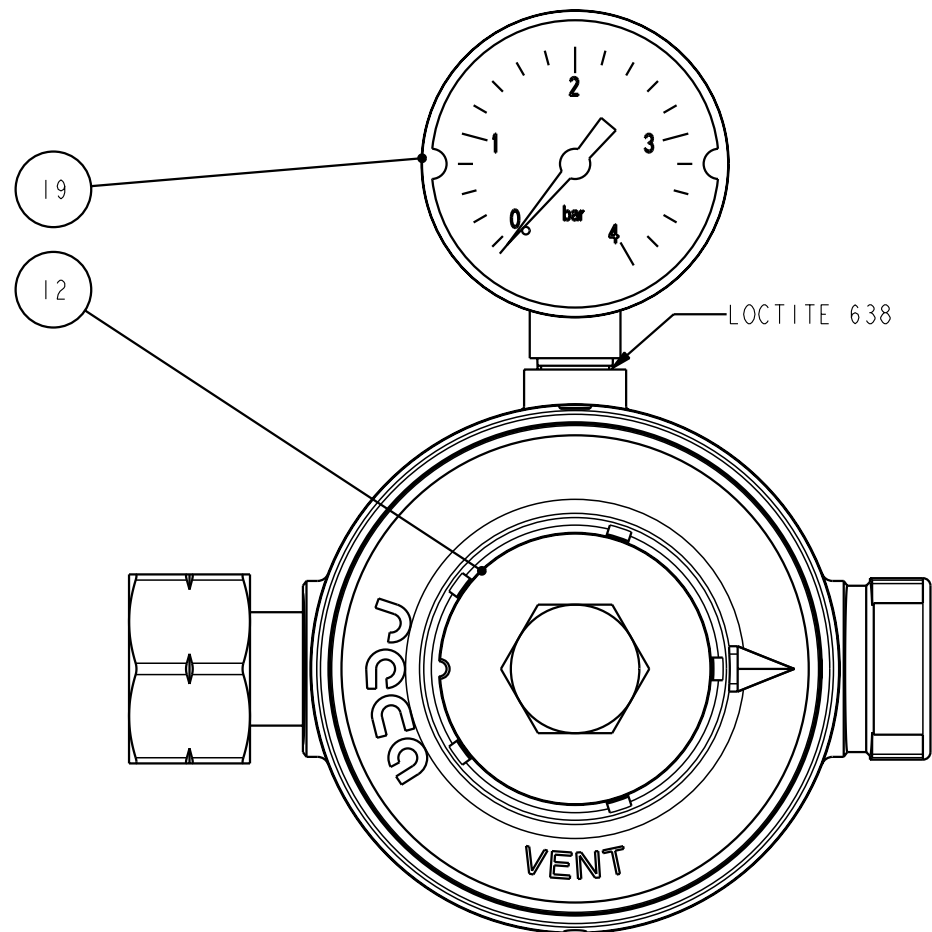
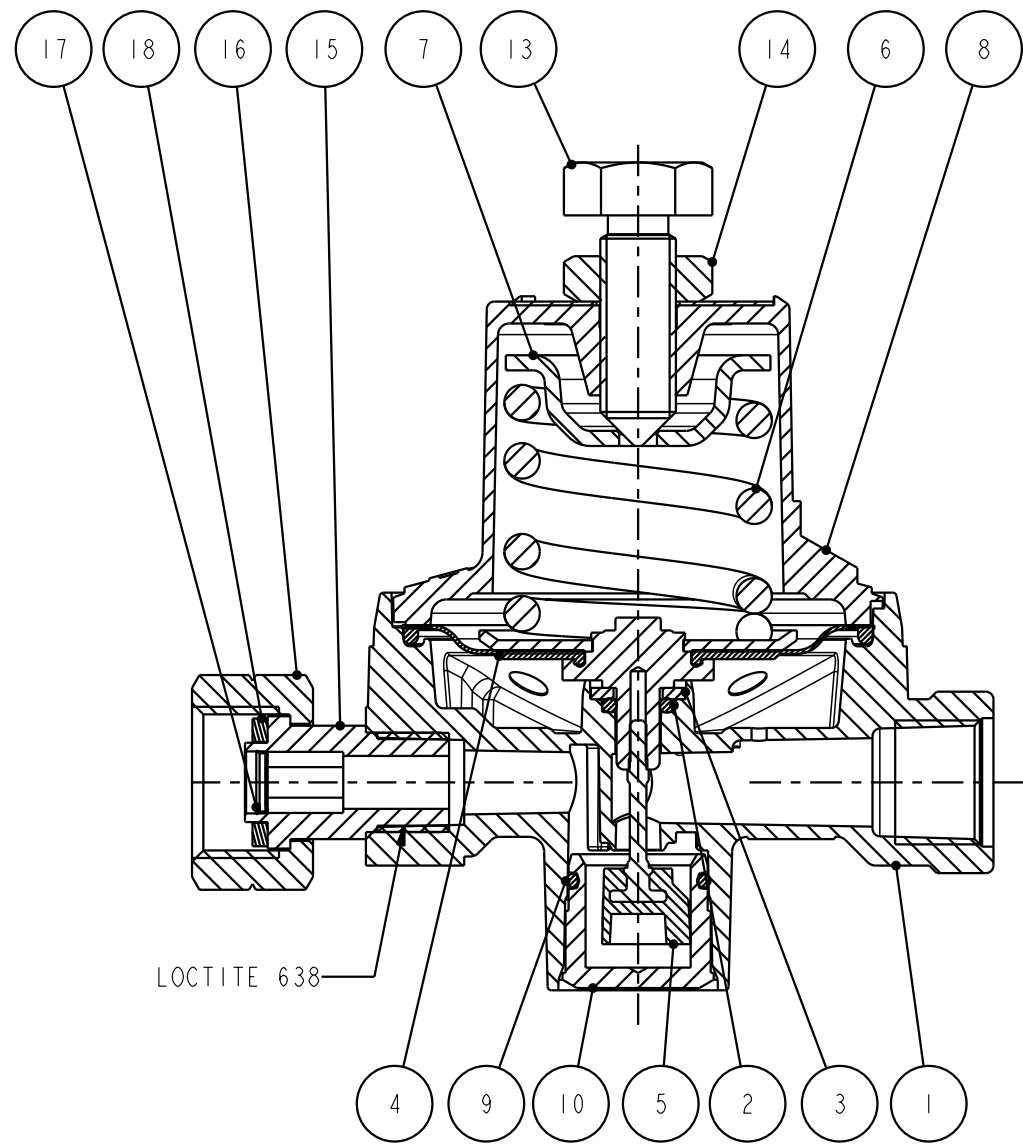


This drawing may not be copied or distributed in any way without the written permission of Cavagna Group Div. RE.CA. Via Matteotti, 5 - Calvisano - BS - Italy

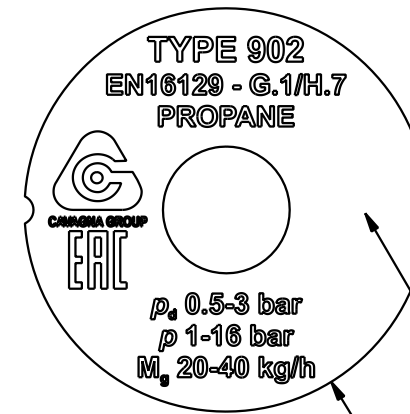


**TYPE 902**  
**HIGH PRESSURE ADJUSTABLE REGULATOR**  
**WITH MANOMETER**  
**PROPANE 0.5-3 bar 20-40 kg/h**  
**INLET: W20x1/14" L.H. (G.1)**  
**OUTLET: G 3/8 FEMALE (H.7)**

34-1-210-3856

EAC

— LABEL FOR SINGLE BOX



— NAMEPLATE



MANUFACTURING DATE  
MONTH - YEAR

NO	NO PRODUCT	DENOMINATION	Q.TY
1	00-1-150-2066	SCATOLA A.P. Tipo "ITA"-ORIZZ.-lavorata	1
2	04-1-110-0503	ANELLO TOROIDALE	1
3	15-1-110-0022	RONDELLA	1
4	09-1-950-0039	S/I MEMBRANA MOD.90	1
5	06-1-950-0010	PASTICCA ADERIZZATA	1
6	07-1-110-0152	MOLLA DI TARATURA MOD.902	1
7	08-1-110-0042	PREMIMOLLA	1
8	01-1-150-0109	COPERCHIO REGOLABILE A.P. (MOD 902)	1
9	04-1-110-0520	ANELLO TOROIDALE (RIF. J.F. R 6A)	1
10	16-1-110-0304	TAPPO	1
11	24-1-110-0001	WHITE ALUMINIUM RAL 9006	1
12	18-1-110-3283	NAMEPLATE FOR REGULATOR TYPE 902 - EAC	1
13	14-1-110-0019	VITE DI REGOLAZIONE	1
14	10-1-110-1008	NUT M10	1
15	16-1-110-0126	RACCORDO	1
16	10-1-110-0005	UNION NUT - W20x1/14" (G.1)	1
17	16-1-110-1006	FILTER-STANDARD □8.5 x 1.5TK	1
18	04-1-110-0007	SEALING WASHER	1
19	50-1-110-0003	MANOMETRO PERNO RADIALE	1
20	34-1-110-1235	INSTRUCTION FOR TYPE 902 (IT-GR-RO-TR)	1
21	23-1-210-0064	STANDARD SINGLE BOX	1
22	34-1-210-3856	SINGLE BOX LABEL FOR TYPE 902	1
23	23-1-510-0008	STANDARD BOX (R37)	1

	<b>DENOMINATION</b>		H.P. ADJUSTABLE REGULATOR				LPG 0.5-3 bar.20-40 kg/h								
	RECA		MODEL 902		ORIFICE 5.8		INLET W20X1/14" L.H.		OUTLET G 3/8 FEMALE		SHARED N.A.		PROD. INT GROUP -		
<b>PERFORMANCE DOC.</b>		COUNTRY		COUNTRY SPECIFIC		WEIGHT		SCALE		MODIFY FILE		PRODUCT NO		REV	
954		RUSSIA		N.A.		-		1:1		N.A.		90-1-290-0095		0	
<b>PROD. EVOLUTION</b>		PROJECT NO		RELEASE LEVEL		DRAWN BY		VERIFIED BY		APPROVED BY		DATE			
DEFINITIVE		DS06201		APPROVED+		CIGOLINI M.		TOMASELLI L.		SCHLICK B.		08/02/18			