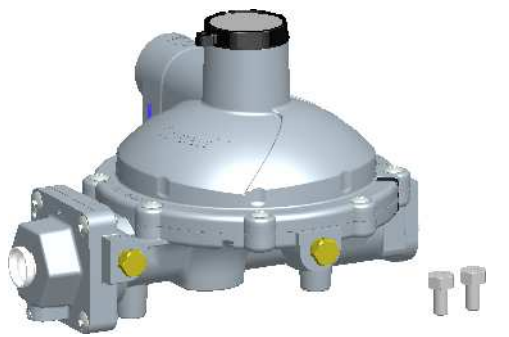
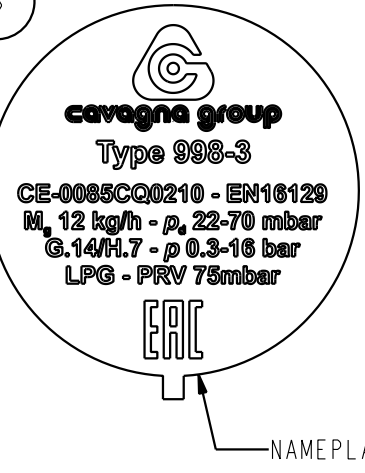
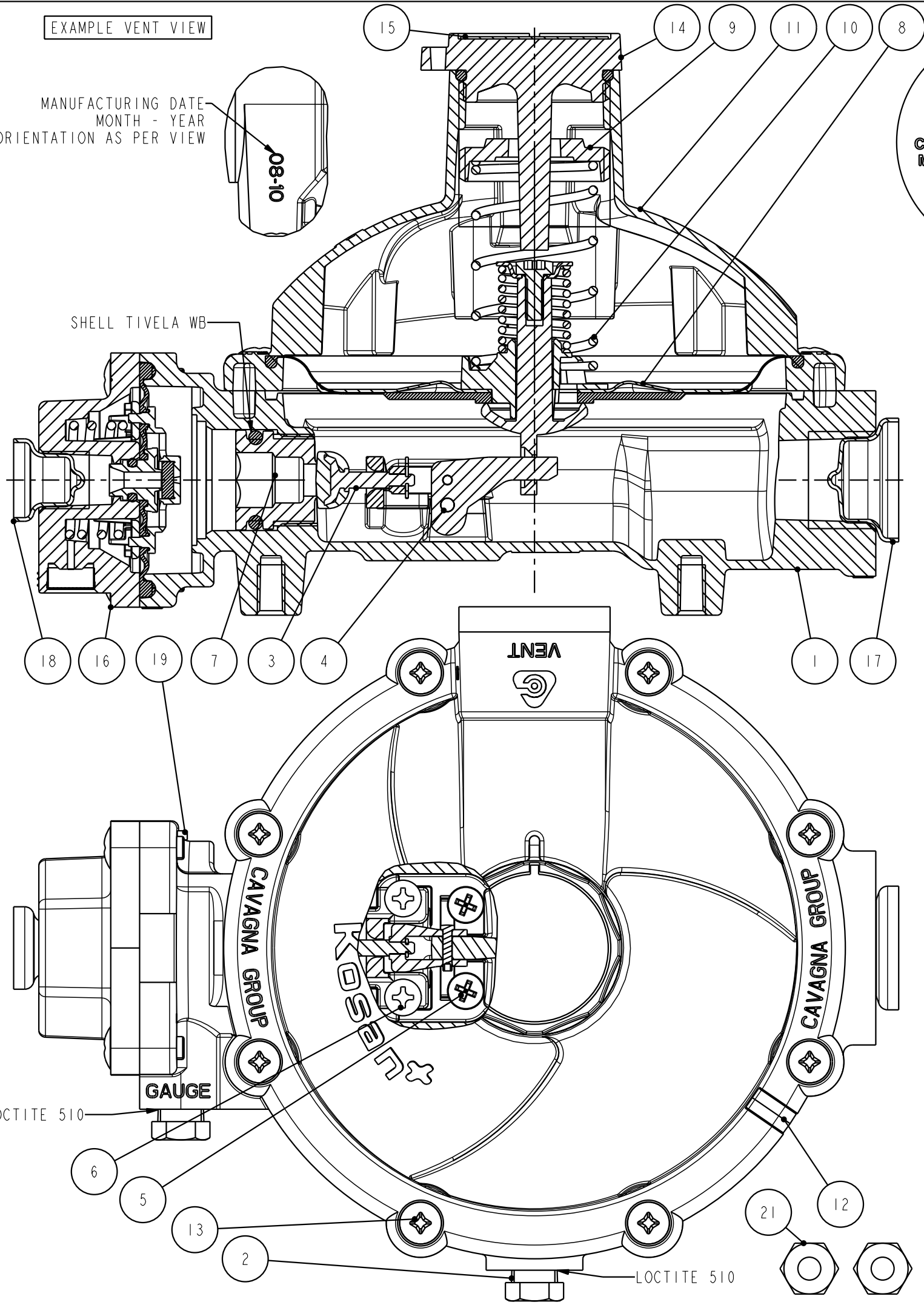
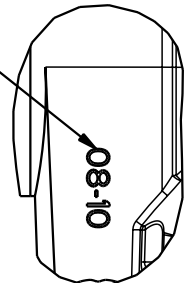


EXAMPLE VENT VIEW

MANUFACTURING DATE  
MONTH - YEAR  
ORIENTATION AS PER VIEW



LABEL FOR SINGLE BOX

NAMEPLATE

NO	NO PRODUCT	DENOMINATION	Q.TY
1	00-1-950-0206	S/A PAINTED BODY GREY RAL 7037 (G 1/2)	1
2	19-1-110-0502	PLUG 1/8" - 27 NPT	2
3	02-1-950-0035	LEVER ARM LP	1
4	05-1-110-0043	LEVER PIN LPGAS EQUIPMENT USA	1
5	14-4-110-0008	SCREW - PAN POZI SELF TAPPING M4 X 8	2
6	14-1-110-0003	SCREW-SELF-TAPPING-POZI-M4 X 10	2
7	03-1-950-0081	S/I ORIFICE - M20 - Ø7	1
8	09-1-950-0117	DIAPHRAGM ASSEMBLY- (REG TYPE 99)	1
9	08-1-110-0060	SPRING ADJUSTER M33x2	1
10	07-1-110-0755	SETTING SPRING 22-70 mbar	1
11	01-1-950-0069	S/A COVER FOR REGULATOR TYPE 99	1
12	21-1-110-0193	LOCK CLIP	1
13	14-1-110-0049	SCREWS M5 - L=16mm	12
14	19-1-950-0072	S/A PLUG FOR LPG REGULATOR	1
15	18-1-110-3146	NAMEPLATE FOR REGULATOR TYPE 998	1
16	20-1-950-0151	S/A FIRST STAGE - TWIN REGULATOR (Rp1/4)	1
17	19-1-110-2083	THREAD PROTECTOR FOR 1/2"NPT	1
18	19-1-110-2085	THREAD PROTECTOR FOR 1/4"NPT	1
19	32-1-110-0012	RIVET FOR SAFETY	1
20	34-1-110-0403	INSTRUCTION FOR USA RESIDENTIAL REGULATOR	1
21	14-1-950-0008	S/A SCREW IN BAG	1
22	23-1-210-0403	SINGLE-BOX FOR RESIDENTIAL REGULATOR	1
23	34-1-210-4028	LABEL FOR ADJUSTABLE LP REGULATOR 998	1
24	23-1-510-0051	STANDARD BOX (R76)	1

This drawing may not be copied or distributed in any way without the written permission of Cavagna Group Div. RE.CA. Via Matteotti, 5 - Calvisano - BS - Italy

	DENOMINATION		LPG 22-70 mbar 12 kg/h			
	TWIN STAGE REGULATOR - TYPE 998 WITH SAFETY					
RECA	MODEL 998TW	ORIFICE 3.5 - 7	INLET Rp 1/4 ISO7	OUTLET G 1/2 FEMALE	SHARED N.A.	PROD. INT. GROUP -
PERFORMANCE DOC. 99-003	COUNTRY RUSSIA	COUNTRY SPECIFIC N.A.	WEIGHT 1.868	SCALE 1:1	MODIFY FILE N.A.	PRODUCT NO 99-1-890-0073
PROD. EVOLUTION DEFINITIVE	PROJECT NO DS06281	RELEASE LEVEL APPROVED	DRAWN BY PEDRINI M.	VERIFIED BY TOMASELLI L.	APPROVED BY SCHLICK B.	DATE 07/05/18