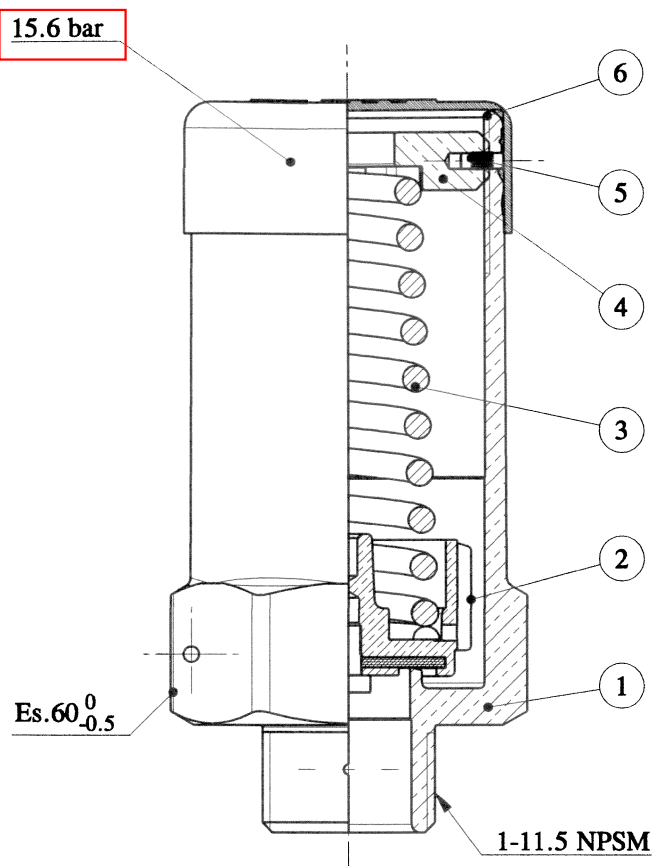


This drawing cannot be reproduced nor given to a third party without a written authorization by CAVAGNA GROUP DIV. OMECA S.p.a (ITALY)




MARKING :

- OMECA
- Month and two last figures of year of construction
- EU 25
- 40°C
- 15.6 bar
- 73.5 m³/min - 120%
- 23.5 (Hole diam.)
- 0.73 (Discharge coefficient)
- PROP-BUT
- C€0029 (symbol as per drawing 2001100043)



N.B.: Mark with progressive number of valve

6	Cap - black color	1	1001105014
5	Pin	1	1401100009
4	Spring retainer	1	0801100081
3	Painted spring	1	0701600111
2	Assembled piston	1	0309500335
1	Machined body	1	0101504181
POS	DENOMINATION	Q.	DRAW NR.

DESCRIPTION		Safety relief valve					
		GEN. TOLL. ±/	GEN. FILL. R /	ANG. TOLL. ±/	DRAFT /	SCALE 7:10	SHEET 1 /1
 cavagna group omeca	RESPONS.	DRAWN		ISSUE		MATERIAL	
	DATE	25-04-94		25-05-94			
	SIGNATURE	Bertoglio		Donini			
	ACTIVITY	NUMBER	09069	PROJECT	-		
	SIGN.	Treccani	REFERENCE	-			
	INDEX	A1	XXXXX	XXXXX	DRAW NUMBER		
							7001900070