
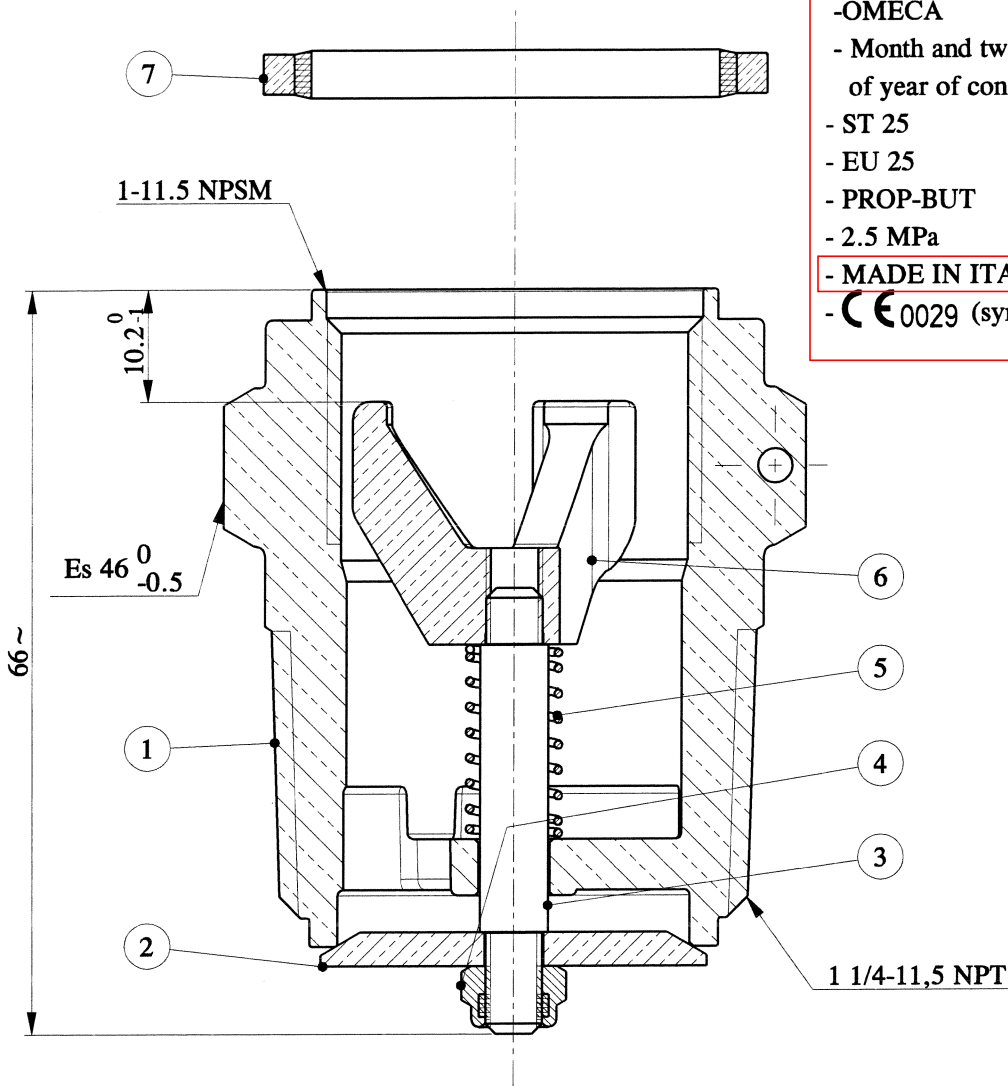



The gasket BONDED-SEAL item pos. 7 (0401102570) is supplied separately only if requested in the order and defining the quantity

- Markings:**
- OMECA
 - Month and two last figures of year of construction
 - ST 25
 - EU 25
 - PROP-BUT
 - 2.5 MPa
 - **MADE IN ITALY**
 -  0029 (symbol as per drawing 2001100043)



7	Gasket, Bonded Seal	1	0401102570
6	Spring retainer	1	0801100082
5	Spring	1	0701100112
4	Self locking nut	1	3001100171
3	Stem	1	1301100047
2	Washer	1	1501100074
1	Machined body	1	0101504178
POS DENOMINATION		Q.	DRAW NR.

DESCRIPTION		BACK PRESSURE VALVE ST 25					
	GEN. TOLL. ±	GEN. FILL. R	ANG. TOLL. ±	DRAFT	SCALE 3:2	SHEET 1 / 1	
	RESPONS.	DRAWN		ISSUE		MATERIAL	
	DATE	29-07-92		30-07-92		-	
	SIGNATURE	Viotti		Donini		-	
	ACTIVITY	NUMBER	PROJECT	DRAW NUMBER			
	SIGN.	REFERENCE	7101900000				
	INDEX	XXXXXX					
					7101900000		