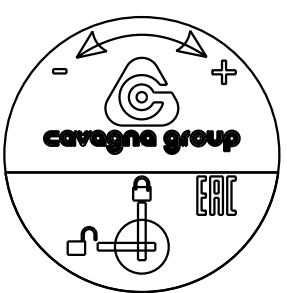
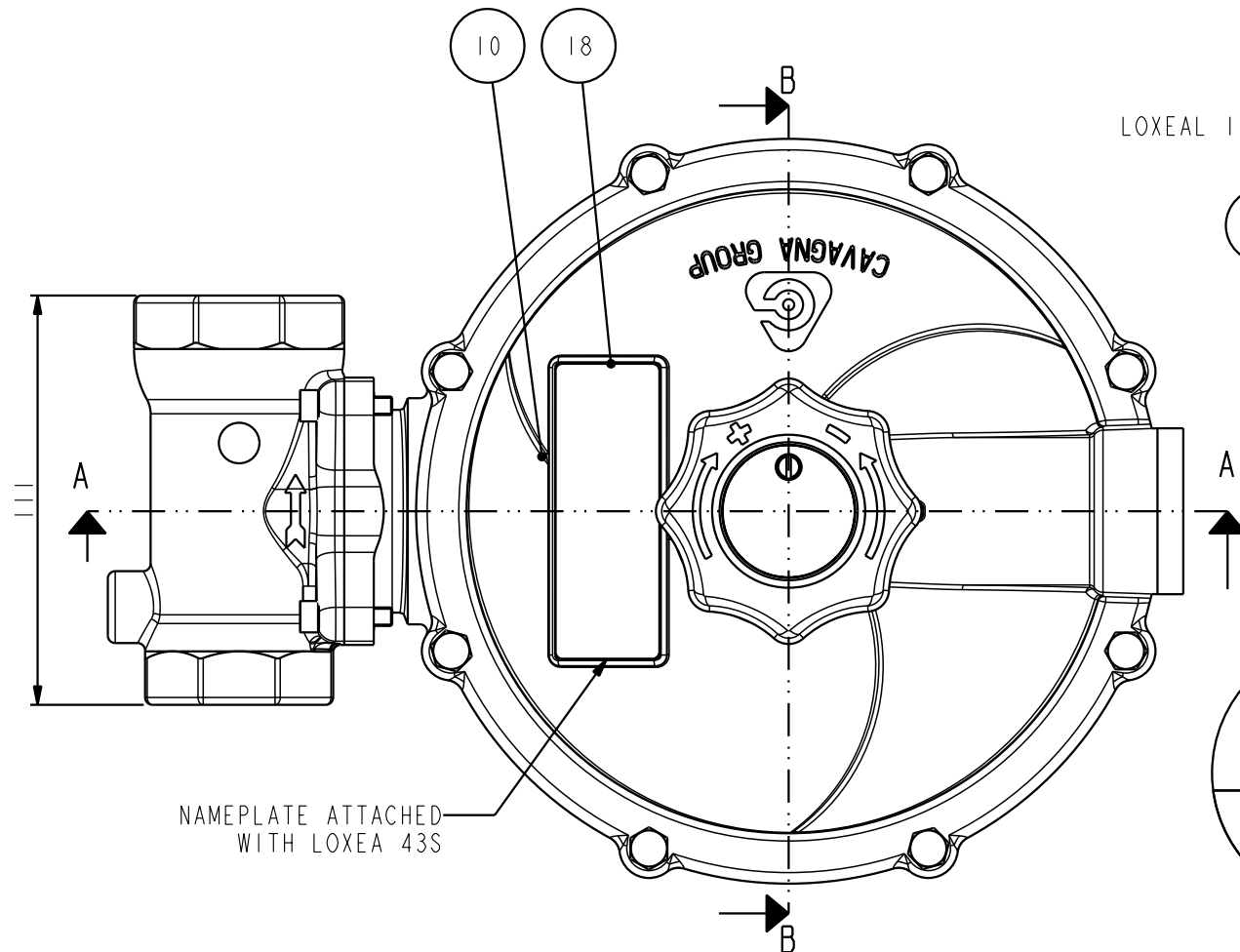
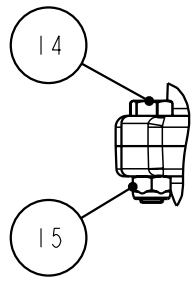
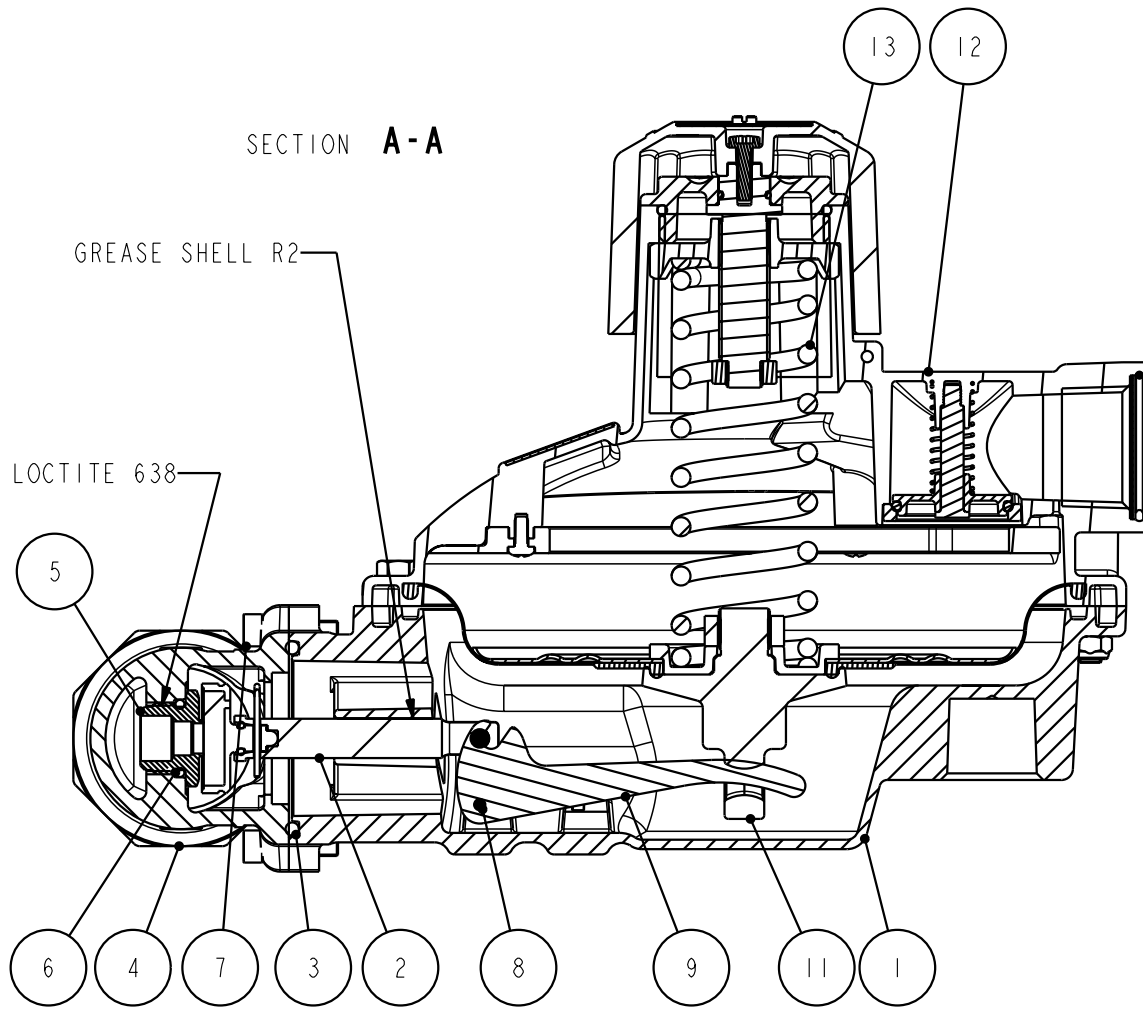


This drawing may not be copied or distributed in any way without the written permission of Cavagna Group Div. RE.CA. Via Matteotti, 5 - Calvisano - BS - Italy

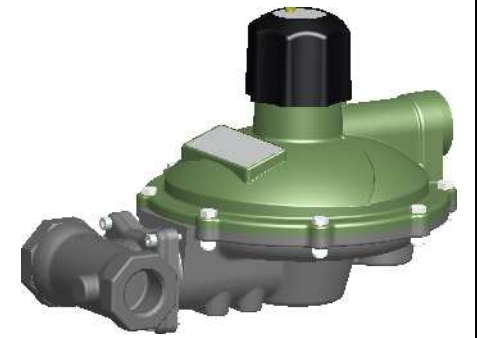


SINGLE BOX LABEL

**RECA**

**L.P. REGULATOR**  
**TYPE 462 PROPANE**  
**50-300 mbar 8-80 Kg/h**  
**INLET: Rp 1 ISO7**  
**OUTLET: Rp 1-1/4 ISO7**

Date gg/mm/aa    Quantity **1**



NAMEPLATE

<b>TYPE</b>	462	<b>PRV</b>	-	mbar
<b>P<sub>a</sub></b>	50-300	<b>P<sub>r</sub></b>	0,45-1,95	bar
<b>FLOW</b>	8-80	<b>DATE</b>	XX-XX	
<b>GAS</b>	PROPANE	<b>NORM</b>	EN 16129	
<b>IN/OUT</b>	G.14/H.7	<b>MADE IN ITALY</b>		

MONTH - YEAR

NO	NO PRODUCT	DENOMINATION	Q.TY
1	00-1-950-0135	S/A PAINTED BODY GREY RAL 7037	1
2	03-1-950-0102	S/A PIN FOR LP REGULATOR	1
3	04-1-110-0583	O RING Ø44.45 x 3.53	1
4	00-1-950-0140	S/A PAINTED MANIFOLD GREY RAL 7037	1
5	16-1-150-0033	ORIFICE Ø8 - 3/4"-16 UNF TYPE 46 (MACHINED)	1
6	04-4-110-0030	O RING Ø15.6 X 2.4 THK (I200P)	1
7	14-1-110-0085	SCREW M5 - L=20 mm	4
8	05-1-110-0042	LEVER PIN LPGAS EQUIPMENT USA	1
9	02-1-110-0065	LEVER FOR LP REGULATOR	1
10	14-1-110-0003	SCREW-SELF-TAPPING-POZI-M4 X 10	2
11	09-1-950-0172	FIXED S/A DIAPHRAGM FOR LP REGULATOR	1
12	01-1-950-0108	S/A COVER FOR ADJUSTABLE REGULATOR TYPE 46	1
13	07-1-110-0465	SETTING SPRING (VARIABLE 30-300 mbar)	1
14	14-1-110-0072	SCREW M6 - L=20mm	8
15	10-1-110-1027	NUT HEXAGONAL M6 AUTOBLOCKING	8
16	19-1-110-0504	TAPPO 1/4 NPT	1
17	18-1-110-3281	TARGETTA Ø32.2	1
18	18-1-021-0002	NAMEPLATE FOR TYPE 46	1
19	34-1-110-0804	INSTRUCTION FOR TYPE 462 EN-IT-CN-GR	1
20	23-1-210-0653	SINGLE BOX FOR TYPE 46	1
21	34-1-210-3839	SINGLE BOX LABEL FOR TYPE 462	1

	<b>DENOMINATION</b>		PROPANE 50-300 mbar 8-80 kg/h			
	L.P. ADJUSTABLE REGULATOR BIG		N.A.			
RECA	MODEL 462	ORIFICE 8	INLET Rp 1 ISO7	OUTLET Rp 1-1/4 ISO7	SHARED N.A.	PROD. INT. GROUP -
PERFORMANCE DOC. N.A.	COUNTRY RUSSIA	COUNTRY SPECIFIC EN16129	WEIGHT N.A.	SCALE 1:2	MODIFY FILE N.A.	PRODUCT NO 46-1-290-0010
PROD. EVOLUTION DEFINITIVE	PROJECT NO DS06201	RELEASE LEVEL APPROVED+	DRAWN BY CIGOLINI M.	VERIFIED BY TOMASELLI L.	APPROVED BY SCHLICK B.	DATE 06/02/18
						0