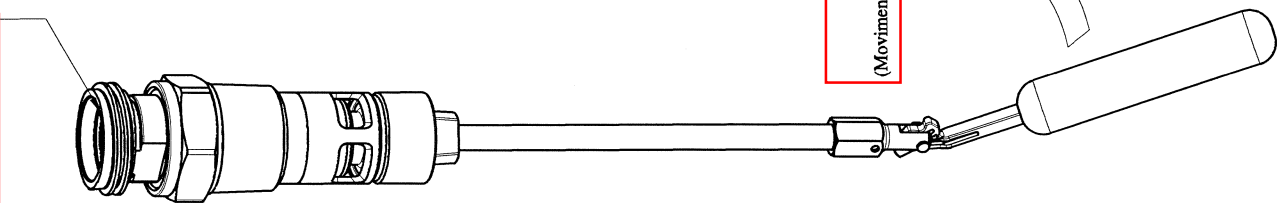
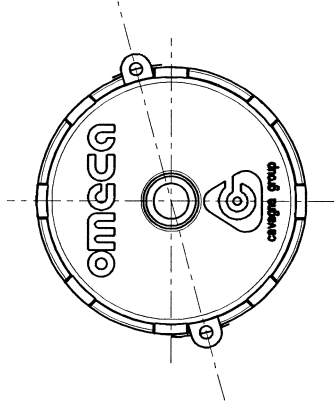
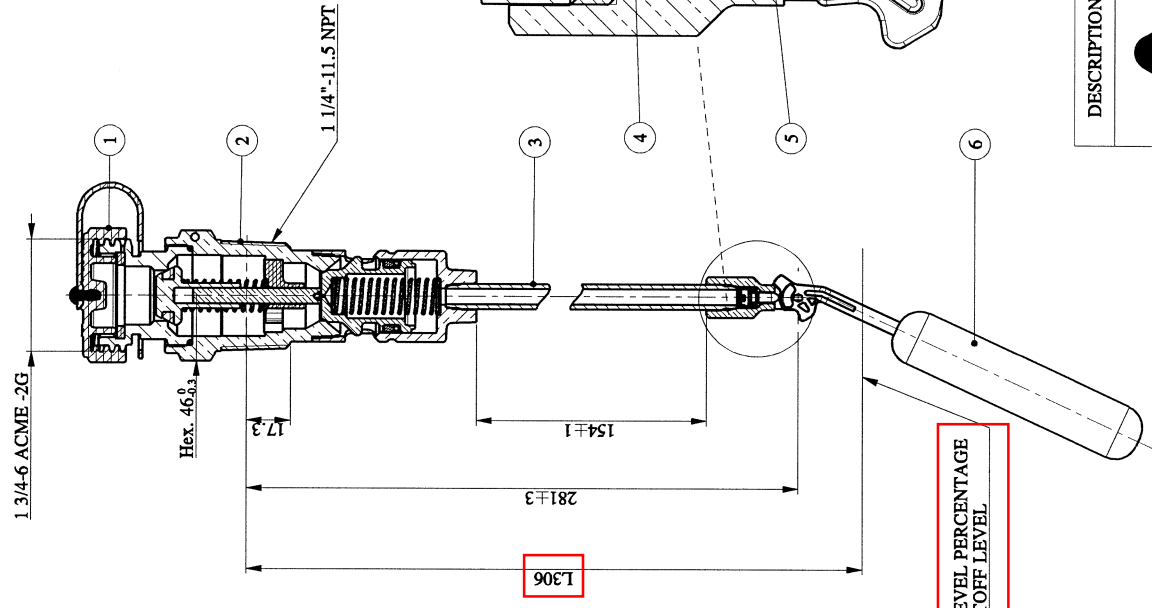


Notch
(Tacca di riferimento
in corrispondenza con
il movimento del galleggiante)



Float direction
(Movimento operativo del galleggiante)

LIQUID LEVEL PERCENTAGE
OPD SHUTOFF LEVEL



Marking:
 - OMECA 1249
 - CAVAGNA GROUP symbol
 - VRN-S
 - Month (1..9, 0, N, D) and two last digits of year of production
 - -40 °C
 - 25 bar
 - Marking (notch) indicating the position of the float
 - L306
 - (see 2001101737)

6	Assembled Float	1	1609500063
5	Assembled piston	1	0309501001
4	Spring	1	0701100208
3	Tube	1	1201100480
2	Assembled Body	1	0109500083
1	Assemble cap	1	1009500115
POS DENOMINATION		Q	DRAW NR.

DESCRIPTION		Filter valve with OPD	
GEN. TOLL. \pm	GEN. FILL. R.	ANG. TOLL. \pm	DRAFT
RESPONS. DRAWN	ISSUE	SCALE 1:2	SHEET 1 / 1
DATE	23-03-07	MATERIAL	
SIGNATURE	Balzani	-	
NUMBER	17784	PROJECT	05534
SIGN.	Treccani	REFERENCE	-
INDEX	A4	XXXXX	XXXXX
DRAWING NUMBER		DRAW NUMBER	
6602901249		6602901249	