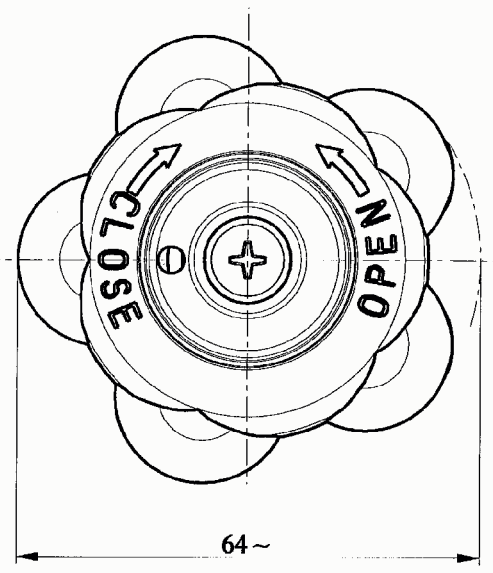
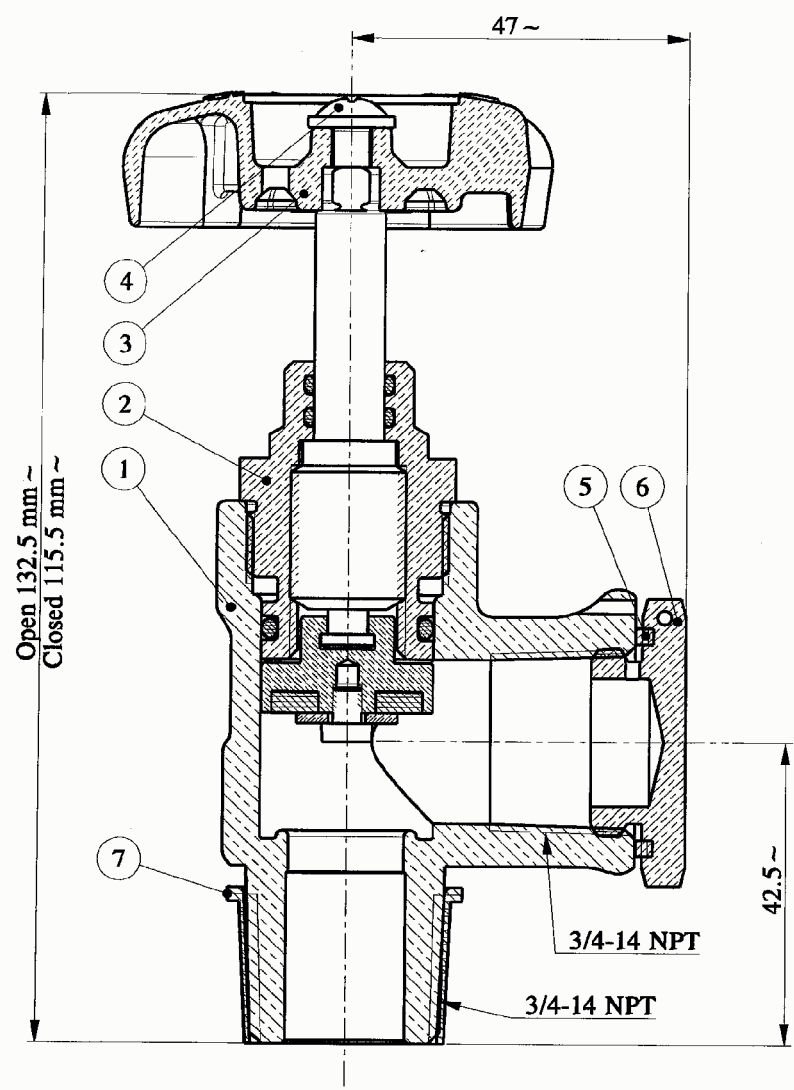



This drawing cannot be reproduced nor given to a third party without a written authorization by CAVAGNA GROUP DIV. OMECA S.p.a (ITALY)



- Markings:**
- OMECA
 - CAVAGNA GROUP symbol
 - Month and two last figures of year of construction
 - RRL16
 - PROP.-BUT.
 - 2.5 MPa
 - C €0029 (Logo as per draw 2001100043)

Wr. 34 ⁰/_{-0.5}

7	Protection cap.	1	1601100524
6	Cap	1	1001100067
5	Gasket	1	0401102579
4	Screw	1	1471101029
3	Handwheel	1	0271103031
2	Assembled tige	1	1309500047
1	Body	1	0101500465
POS	DENOMINATION	Q.	DRAW NR.

DESCRIPTION		Liquid withdrawal valve					
		GEN. TOLL. ±/	GEN. FILL. R /	ANG. TOLL. ±/	DRAFT /	SCALE 1:1	SHEET 1 / 1
		RESPONS.	DRAWN	ISSUE	MATERIAL		
		DATE	18-03-97	18-03-97	/		
		SIGNATURE	Viotti	Donini			
ACTIVITY	NUMBER	03602	PROJECT	-	DRAW NUMBER		
	SIGN.	Treccani	REFERENCE	-			
	INDEX	A0	-	-			
						6704900797	