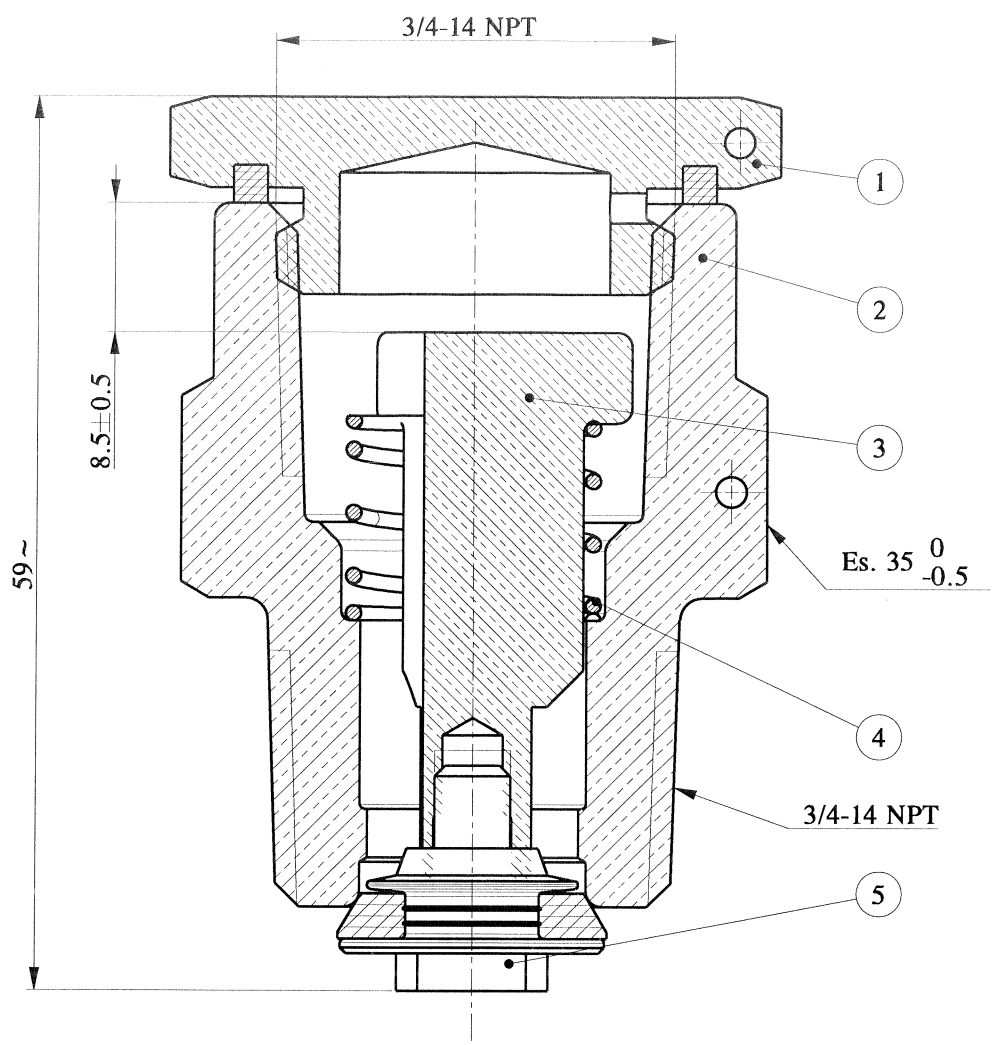


This drawing cannot be reproduced nor given to a third party without a written authorization by CAVAGNA GROUP DIV. OMECA S.p.a (ITALY)



**Markings:**

- OMECA
- Simbolo CAVAGNA GROUP
- Month and two last figures of year of construction
- VL 13
- PROP.-BUT.
- 2.5 MPa

CE □□□□ (see 2001101737)

5	Assembled plate	1	1509500030
4	Spring	1	0701100222
3	Guide	1	0801100157
2	Body	1	0101504486
1	Assembled cap	1	1009500080
POS	DENOMINATION	Q.	DRAW NR.

DESCRIPTION		Liquid reclaiming valve										
 cavagna group 	GEN. TOLL. ±/		GEN. FILL. R /		ANG. TOLL. ±/		DRAFT /		SCALE 2:1		SHEET 1 / 1	
	RESPONS.		DRAWN		ISSUE		MATERIAL					
	DATE		16-01-95		16-01-95							
	SIGNATURE		Bertoglio		Donini							
	ACTIVITY	NUMBER	19208		PROJECT	/		DRAW NUMBER				
	SIGN.	Treccani		REFERENCE	/		<span style="font-size: 2em; font-weight: bold;">6902900008</span>					
	INDEX	A1			-							