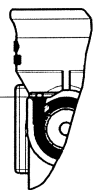
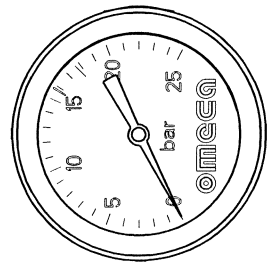
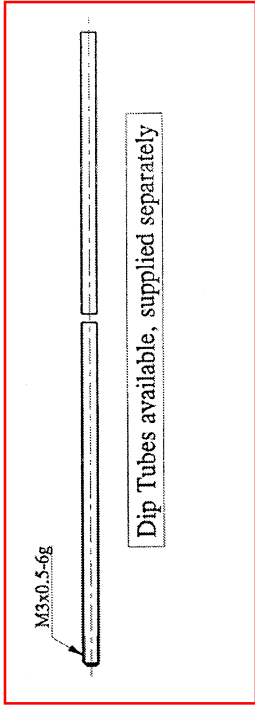
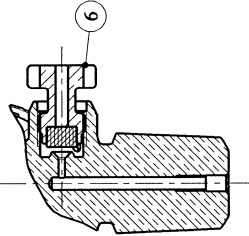
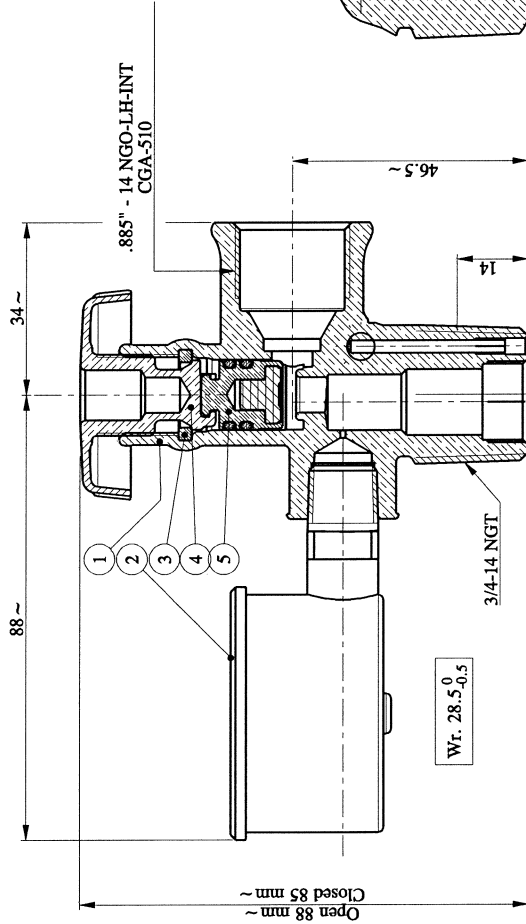
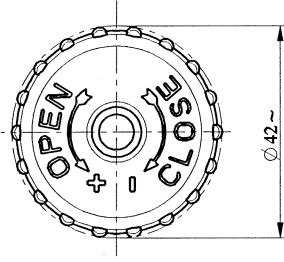


Orbital locking pin position



- Markings:
- OMECA
  - CAVAGNA GROUP symbol
  - Two last figures of year and month (1...9 and O,N,D for lat three months) of construction.
  - GS 80
  - PROP-BUT
  - 2,5 MPa
  - -40°C
  - TIGHTEN
  - (see 2001101737)



Vista Manometro

|                  |                     |    |            |
|------------------|---------------------|----|------------|
| 6                | Assembled piston    | 1  | 0309500227 |
| 5                | Assembled piston    | 1  | 0309500082 |
| 4                | Handwheel           | 1  | 0201507003 |
| 3                | Orbital locking pin | 1  | 0501100012 |
| 2                | Manometer (UNI 837) | 1  | 3001100219 |
| 1                | Body                | 1  | 0101507516 |
| POS DENOMINATION |                     | Q. | DRAW NR.   |

|               |                 |                    |         |           |             |
|---------------|-----------------|--------------------|---------|-----------|-------------|
| DESCRIPTION   |                 | LPG cylinder Valve |         |           |             |
| GEN. TOLL. ±/ | GEN. FILL. R. / | ANG. TOLL. ±/      | DRAFT / | SCALE 1:1 | SHEET 1 / 1 |
| RESPONS.      | DRAWN           | MATERIAL           |         |           |             |
| DATE          | 29-11-10        | ISSUE              |         |           |             |
| SIGNATURE     | Savoldi         | 29-11-10           |         |           |             |
| NUMBER        | 15978           | PROJECT            |         |           |             |
| SIGN.         | Treccani        | REFERENCE          |         |           |             |
| INDEX         | A3              | XXXXX              |         |           |             |
|               |                 | XXXXX              |         |           |             |
|               |                 | DRAW NUMBER        |         |           |             |
|               |                 | 8008908217         |         |           |             |

