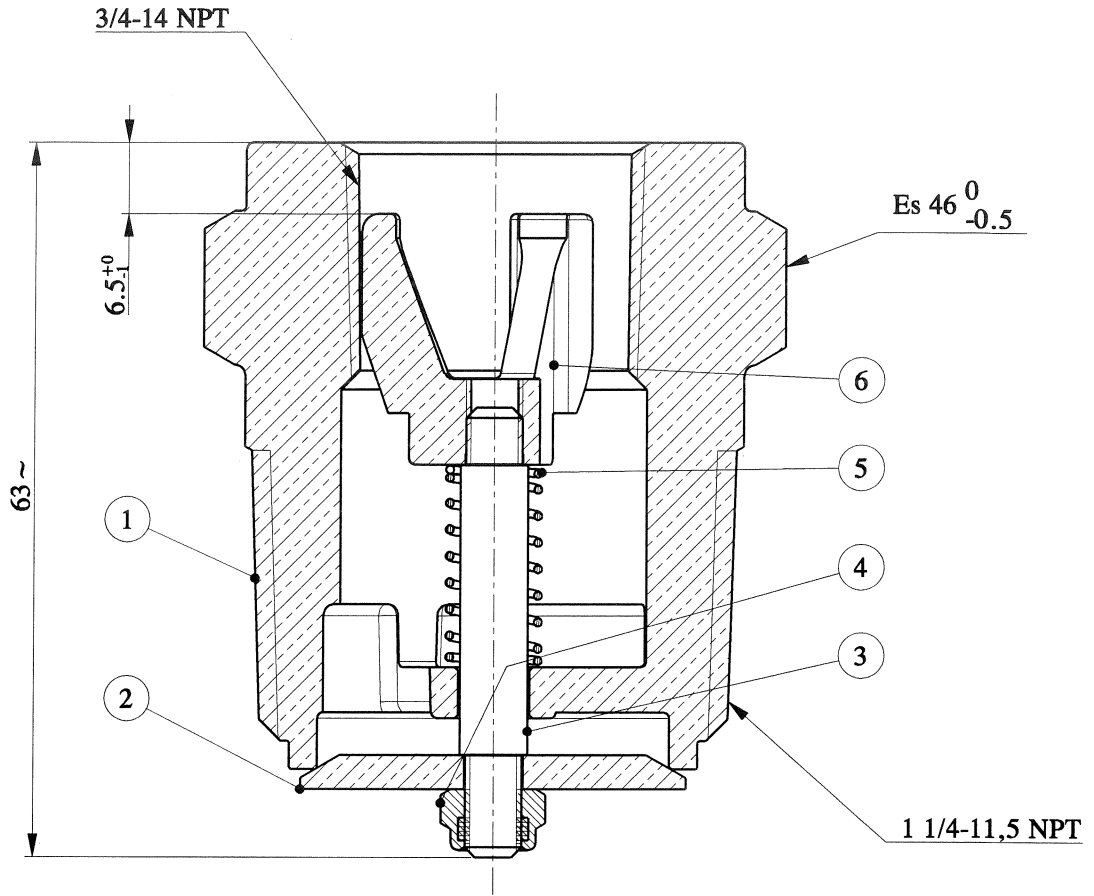


This drawing cannot be reproduced nor given to a third party without a written authorization by CAVAGNA GROUP DIV. OMECA S.p.a (ITALY)




Markings:

- OMECA
- Month and two last figures of year of construction
- ST 19
- PROP-BUT
- 2.5 MPa
- MADE IN ITALY

- CE □ □ □ □ (see 2001101737)

6	Spring retainer	1	0801100085
5	Spring	1	0701100112
4	Self locking nut	1	3001100171
3	Stem	1	1301100047
2	Washer	1	1501100074
1	Machined body	1	0101504192
POS	DENOMINATION	Q.	DRAW NR.

		BACK PRESSURE VALVE ST 19					
		GEN. TOLL. ±	GEN. FILL. R	ANG. TOLL. ±	DRAFT	SCALE 3:2	SHEET 1 / 1
ACTIVITY	RESPONS.	DRAWN		ISSUE		MATERIAL	
	DATE	28-07-92		28-07-92			
	SIGNATURE	Cazzago		Donini			
	NUMBER	19208		PROJECT	-		
	SIGN.	Treccani		REFERENCE	7120900005		
	INDEX	A1		XXXXXX	XXXXXX		
DRAW NUMBER						7100900005	