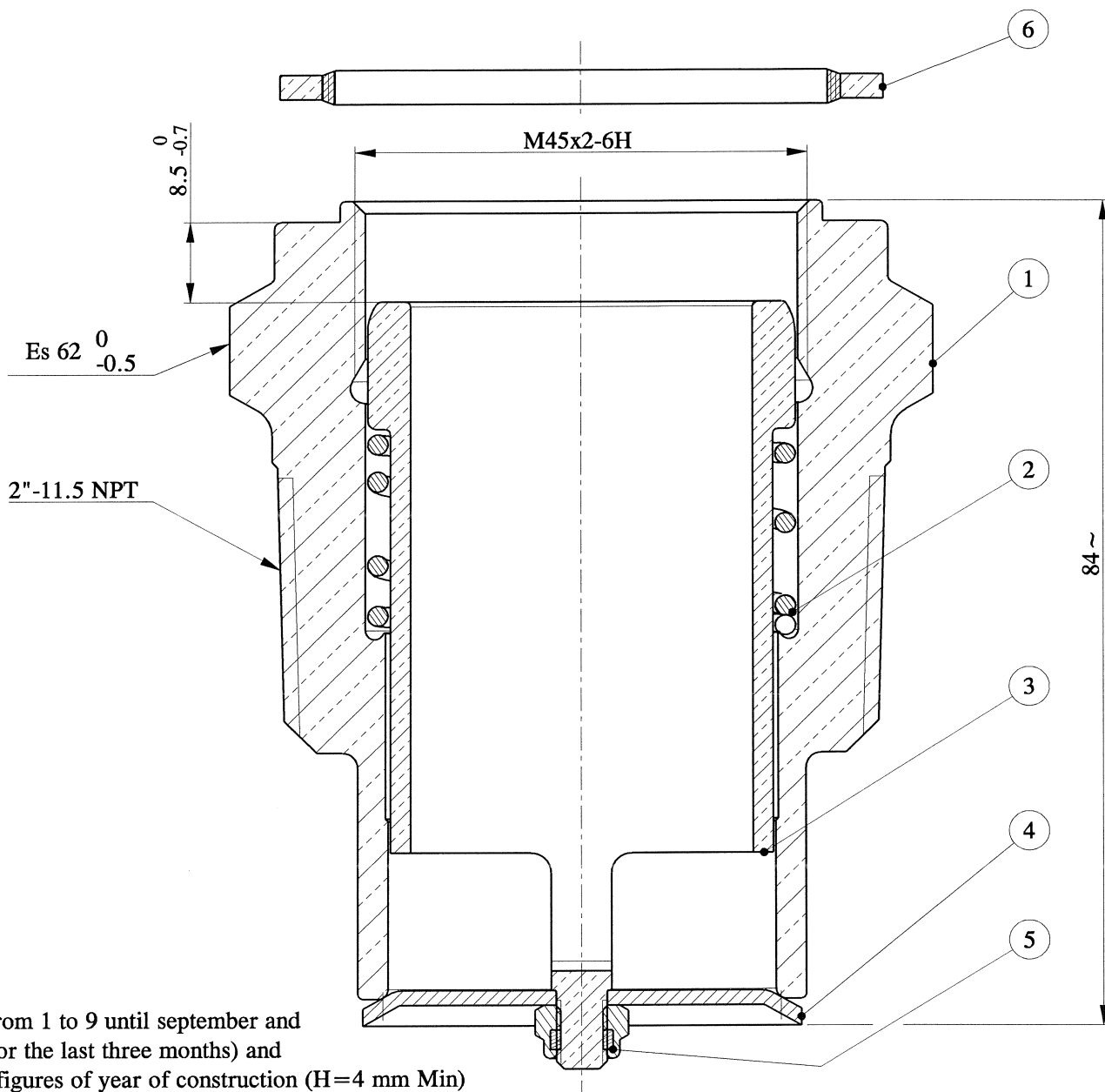


N.B. The seal BONDED-SEAL pos.6 drawing 0401102587 is supplied only if requested in the purchase order specifying the exact quantity.




Markings:

- OMECA
- Month (from 1 to 9 until september and O-N-D for the last three months) and two last figures of year of construction (H=4 mm Min)
- M 45
- $\text{C} \text{€} 0029$ logo according to drawing 2001100043
- I (Interchangeability symbol)

- Symbol NF (symbol as per drawing 2001100023)

6	Gasket, Bonded seal	1	0401102587
5	Self locking nut	1	3001100171
4	Washer	1	1501100609
3	Guide	1	0801100149
2	Spring	1	0701100221
1	Machined body	1	0101504465
POSDENOMINATION		Q.	DRAW NR.

DESCRIPTION		"M45"					
		GEN. TOLL. \pm -	GEN. FILL. R -	ANG. TOLL. \pm -	DRAFT -	SCALE 3:2	SHEET 1 / 1
		RESPONS.	DRAWN	ISSUE	MATERIAL		
		DATE	13-03-00	13-03-00	-		
		SIGNATURE	Bertoglio	Nicolini	-		
ACTIVITY	NUMBER	11353	PROJECT	03205	DRAW NUMBER		
	SIGN.	Treccani	REFERENCE	-	7101900025		
	INDEX	A1	XXXXX	XXXXX			