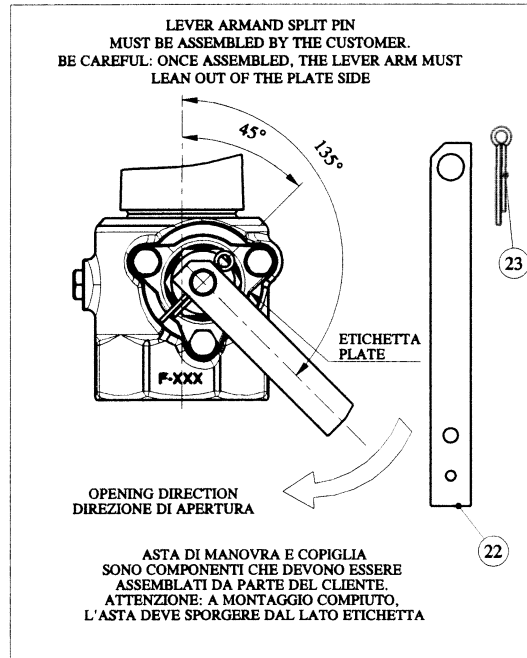
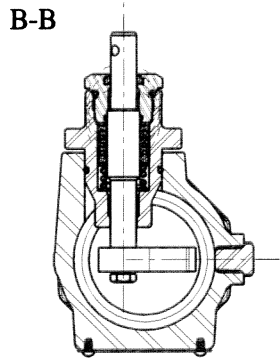
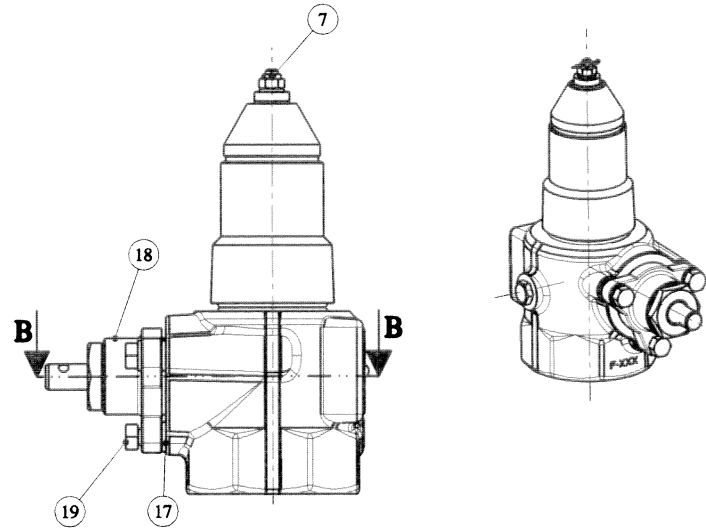
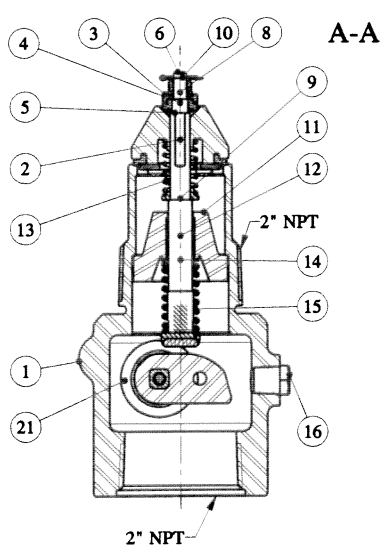
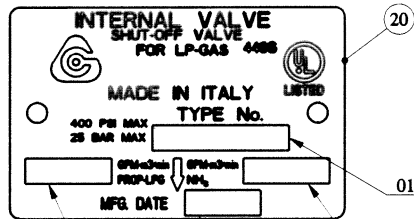


This drawing cannot be reproduced nor given to a third party without a written authorization by CAVAGNA GROUP DIV. OMECA S.p.a. (ITALY)



Markings according to sign plate 2001101211 plus:




Y (year), two last figures of year of construction and number of week
(EX. Y12-10 = the tenth week of the year 2012 decima settimana dell'anno 2012)

250 - 0.95 (GPM PROP-m³/min LPG)

23	Split Pin	1	3001100320
22	Lever Arm	1	1301100116
POS	DENOMINATION	Q.	DRAW NR.

21	Hammer Drive Screw	2	1401100013
20	Sign Plate punched	1	2001101211
19	Screw	3	3001100319
18	Lever Section Ass.	1	1309500109
17	Spring Washer	5	3001100312
16	Plug	1	1001100086
15	Main Spring	1	0701100266
14	Guide f. Main Spring	1	1501100232
13	Spring for Bleeder function	1	0701100268
12	Bushing	1	1501100260
11	Guide for main spindle (RAW)	1	1501500239
10	Castle Nut	1	3001100316
9	Washer f. Bleeder Spring	1	1501100235
8	Flat Washer	1	3001100315
7	Split Pin	1	3001100321
6	Main Spindle Ass.	1	1309500064
5	Lower Washer f. Bleeder	1	1501101154
4	Bleeder Gasket	1	0401102700
3	Upper Washer f. Bleeder	1	1501100231
2	Cone Assembled	1	1509500036
1	Body machined	1	0101501983
POS	DENOMINATION	Q.	DRAW NR.

DESCRIPTION		INTERNAL VALVE 2"NPT (250 GPM)					
	GEN. TOLL. ±-	GEN. FILL. R -	ANG. TOLL. ±-	DRAFT -	SCALE 1:2	SHEET 1 / 1	
	RESPONS.	DRAWN	ISSUE	MATERIAL			
	DATE	25-10-04	10-12-04	/			
	SIGNATURE	Vendola	Treccani	/			
	ACTIVITY	NUMBER	PROJECT	DRAW NUMBER			
	08005	03433	6902900106				
	SIGN.	REFERENCE	/				
	A5	XXXXX	XXXXX				