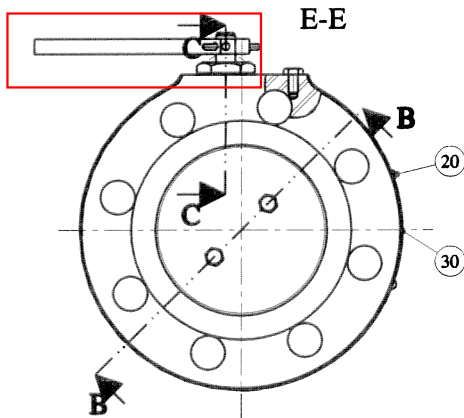
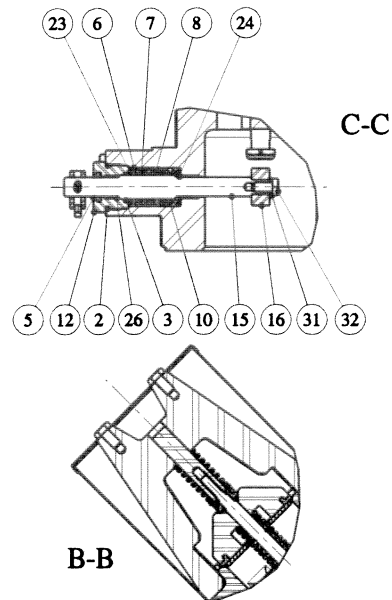
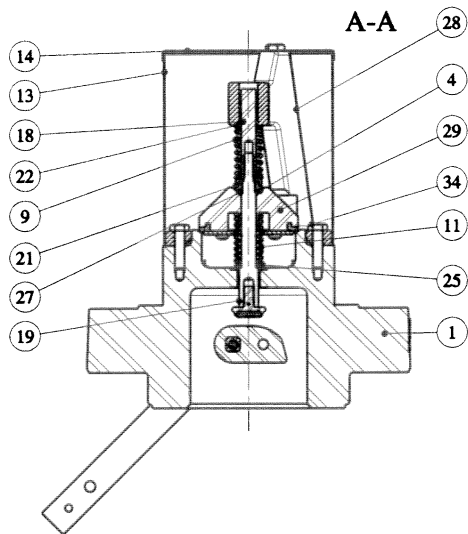


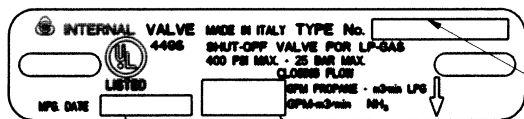
This drawing cannot be reproduced nor given to a third party without a written authorization by CAVAGNA GROUP DIV. OMECA S.p.a. (ITALY)



LEVER ARM AND SPLIT PIN MUST BE ASSEMBLED BY THE CUSTOMER. BE CAREFUL: ONCE ASSEMBLED, THE LEVER ARM MUST LEAN OUT OF THE PLATE SIDE

ASTA DI MANOVRA E COPIGLIA SONO COMPONENTI CHE DEVONO ESSERE ASSEMBLATI DA PARTE DEL CLIENTE. ATTENZIONE: A MONTAGGIO COMPIUTO, L'ASTA DEVE SPORGERE DAL LATO ETICHETTA

Markings according to sign plate 2001101530 plus:



500-1.9 (GPM PROP-m³/min LPG)
450-0.71 (GPM NH₃-m³/min NH₃)

0121 (Type number)

-Y (year), two last figures of year of construction and number of week
(EX. Y12-10 = the tenth week of the year 2012 decima settimana dell'anno 2012)

34	Screw	4	3001100334
33	Split Pin	1	3001100320
32	Hex Cap Screw	5	3001100318
31	Spring Washer	1	3001100317
30	Sign Plate punched	1	2001101530
29	Cone Assembled	1	1509500035
28	Spindle Guide machined	1	1501500271
27	Lower Washer f. Bleeder	1	1501101154
26	Bushing	3	1501100242
25	Washer f. Bleeder Spring	1	1501100235
24	Stop Washer	1	1501100234
23	Support f. Sealing System	2	1501100233
22	Guide f. Main Spring	2	1501100232
21	Upper Washer f. Bleeder	1	1501100231
20	Hammer Drive Screw	2	1401100013
19	Lower Main Spindle assembled	1	1309500068
18	Upper Main Spindle	1	1301100128
17	Lever Arm	1	1301100116
16	VALVE LIFTER MACHINED	1	1301100115
15	Shaft for Lever	1	1301100114
14	Filter Cover	1	1001105045
13	Filter Cylinder	1	1001102047
12	Lever Nut	1	1001101159
11	Spring for Bleeder function	1	0701100446
10	Spring for Sealing System	1	0701100267
9	Main Spring	1	0701100266
8	Thrust Ring	1	0601100048
7	V-Ring	3	0601100047
6	Support Ring	1	0601100046
5	Wiper Ring	1	0401102702
4	Bleeder Gasket	1	0401102700
3	Toroidal ring	1	0401100215
2	Toroidal ring	1	0401100196
1	Machined body	1	0101501988
POS	DENOMINATION	Q.	DRAW NR.

DESCRIPTION		3" INTERNAL VALVE FLANGED (500 GPM)					
	GEN. TOLL. ± -	GEN. FILL. R -	ANG. TOLL. ± -	DRAFT -	SCALE 3:10	SHEET 1 / 1	
	RESPONS.	DRAWN	ISSUE	MATERIAL			
	DATE	25-10-04	10-12-04	/			
	SIGNATURE	Vendola	Treccani				
ACTIVITY	NUMBER 08005	PROJECT	03435	DRAW NUMBER			
	SIGN. Treccani	REFERENCE	-	6902900121			
	INDEX A3	KXXXX	XXXXX				