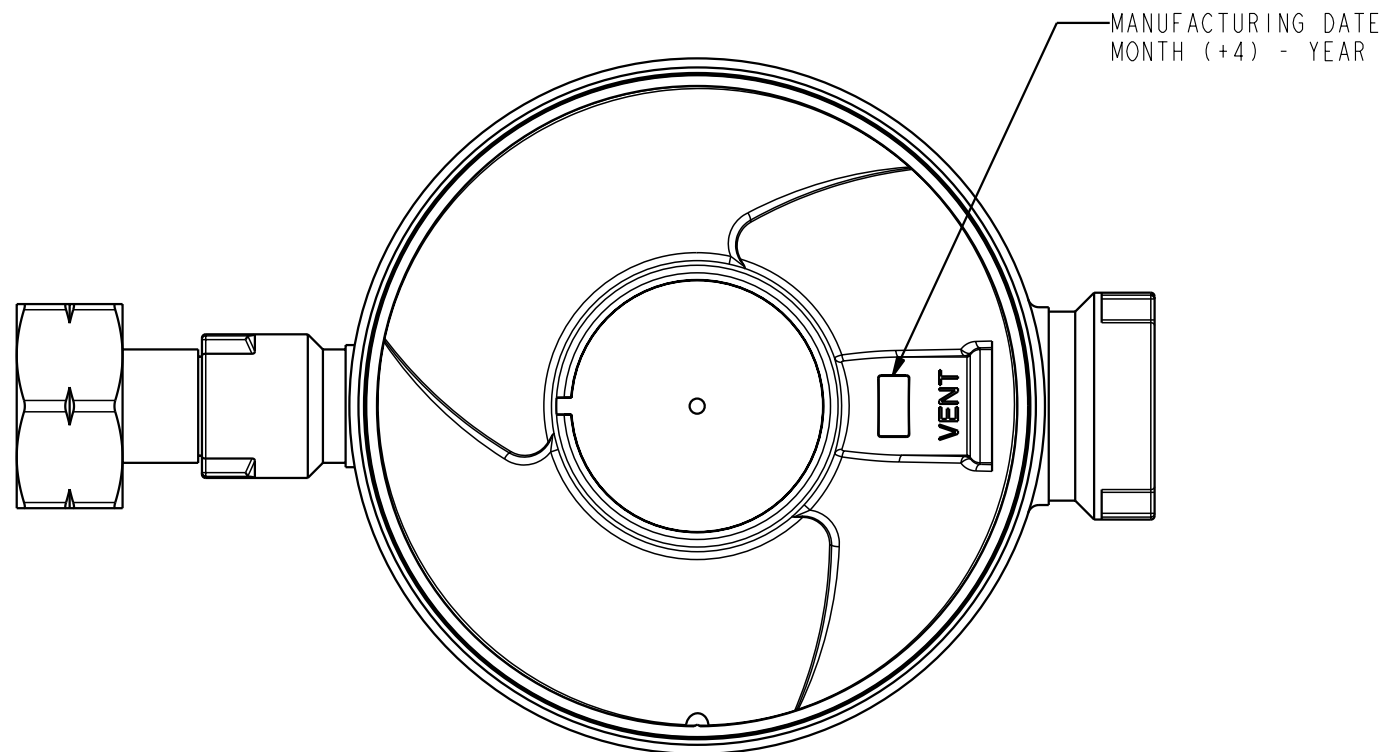
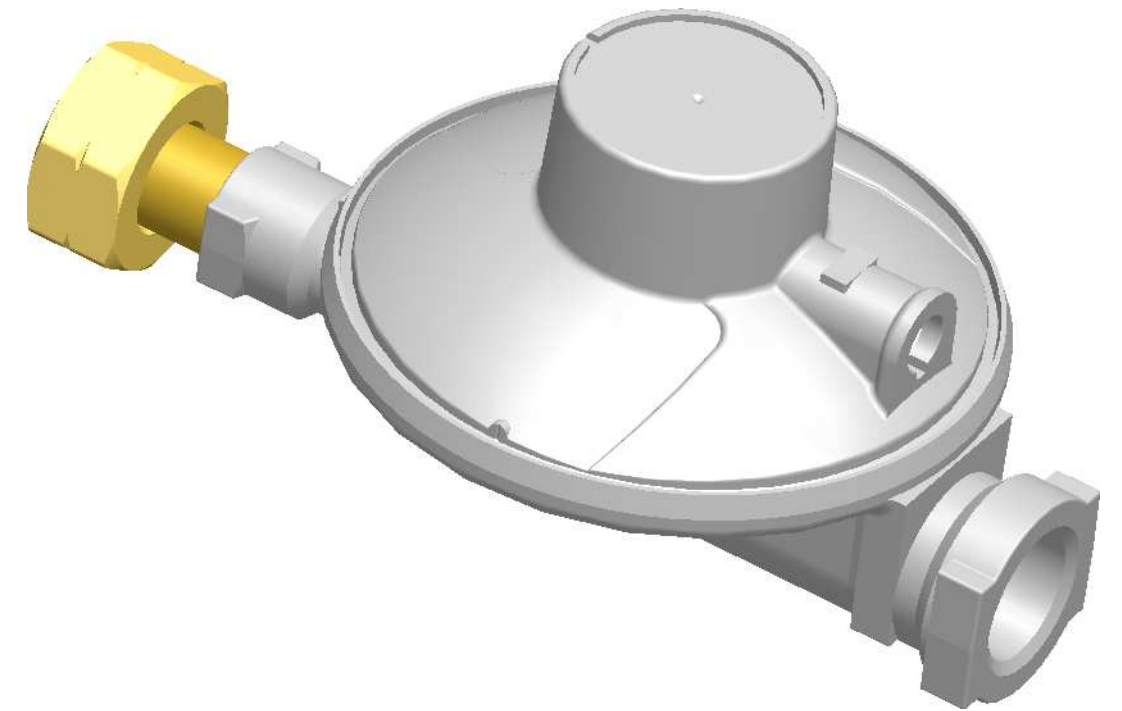


INK STAMP



NO	NO PRODUCT	DENOMINATION	Q.TY
1	00-1-150-0646	MACHINED BODY TYPE 73 G1/4 - G1/2 - REPORT K-1/6	1
2	05-4-110-0020	PIN-LEVER	1
3	02-4-950-0006	S/I LEVETTA MOD.73 EUROPA	1
4	09-4-950-0034	S/I MEMBRANA MOD.73-EUR	1
5	07-1-110-0290	MOLLA TARATURA 28 mbar	1
6	01-1-121-0072	COPERCHIO MOD.73 EUR	1
7	24-1-110-0001	WHITE ALUMINIUM RAL 9006	1
8	16-1-110-0986	FITTING G 1/4	1
9	10-1-110-0026	UNION NUT W21.8x1/14" SIN	1
10	04-1-110-0043	GUARNIZIONE	1
11	18-1-310-0270	INK STAMP FOR TYPE 734B1	1
12	16-1-110-1006	FILTER-STANDARD Ø8.5 x 1.5TK	2
13	34-1-110-1102	INSTRUCTION FOR TYPE 734	1
14	23-1-021-0055	ROTOLO PER IMBALLO STANDARD 380 mm	1
15	23-1-510-0024	STANDARD BOX (R52)	1

	DENOMINATION		SINGLE STAGE REGULATOR		LPG 29 mbar 3 Kg/h		
	RECA		N.A.		N.A.		
PERFORMANCE DOC.	MODEL	ORIFICE	INLET		OUTLET	SHARED	PROD. INT GROUP
73-055	N.A.	2.5	W21.8X1/14" FEMALE L.H.		G 1/2 FEMALE	N.A.	-
PROJ. EVOLUTION	COUNTRY	COUNTRY SPECIFIC	WEIGHT	SCALE	MODIFY FILE	PRODUCT NO	
DEFINITIVE	RUSSIA	N.A.	N.A.	1:1	N.A.	73-1-490-0156	
	PROJECT NO	RELEASE LEVEL	DRAWN BY	VERIFIED BY	APPROVED BY	DATE	REV
	DS05251	APPROVED	PEDRINI M.	TOMASELLI L.	SCHLICK B.	13/04/15	0