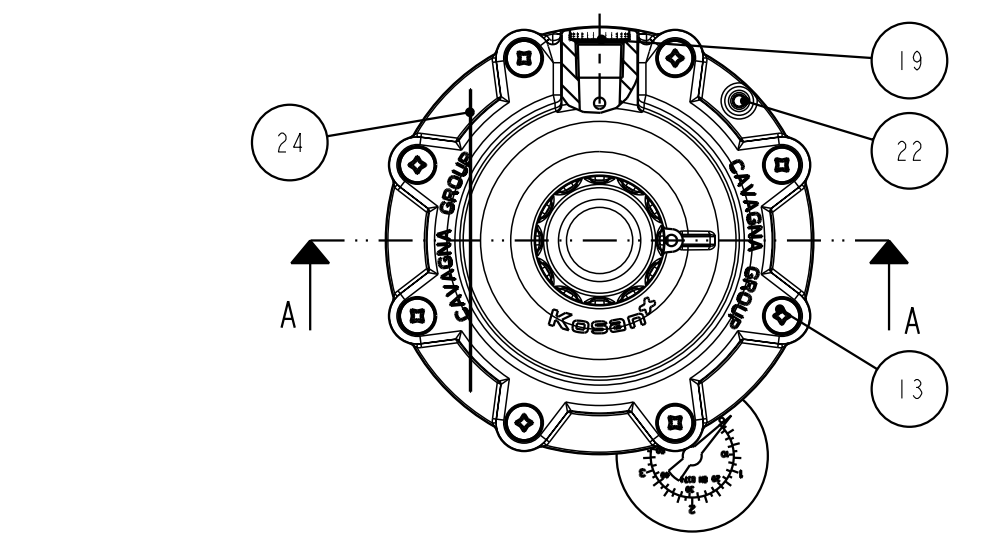
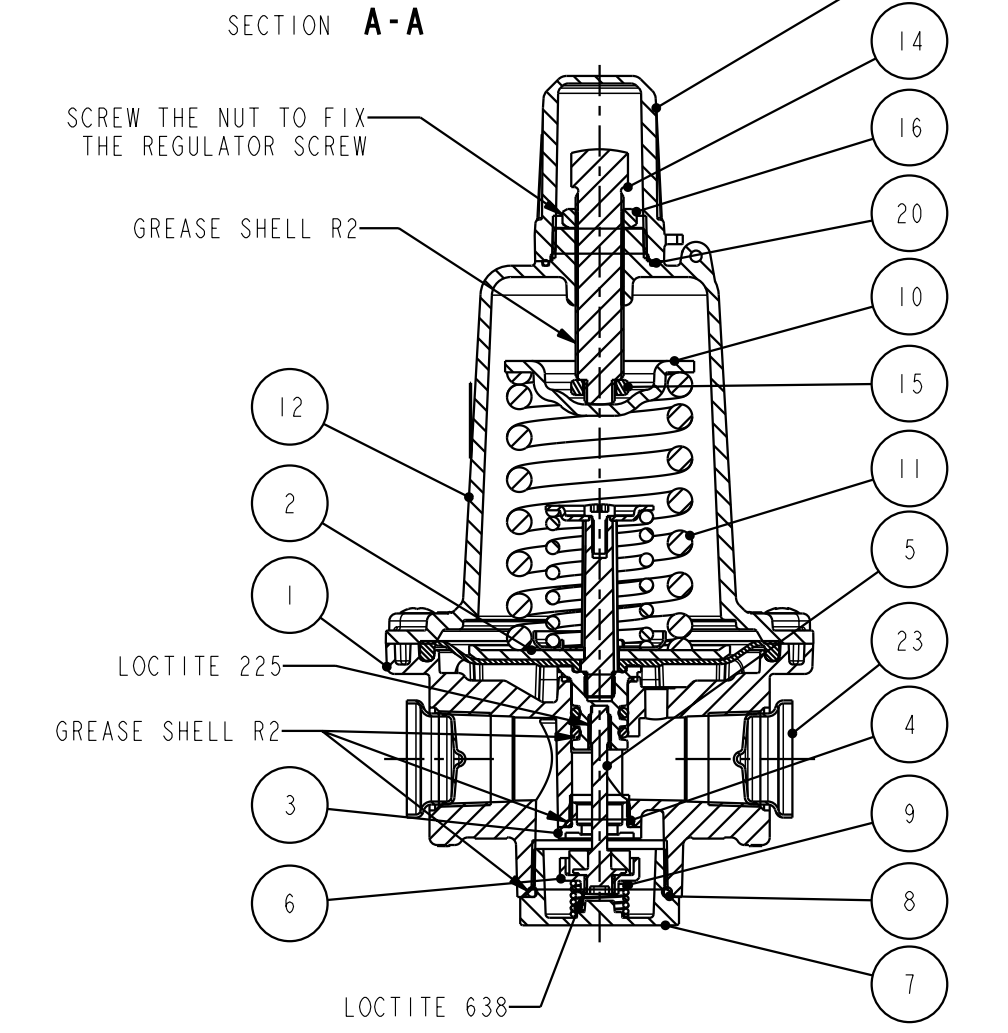
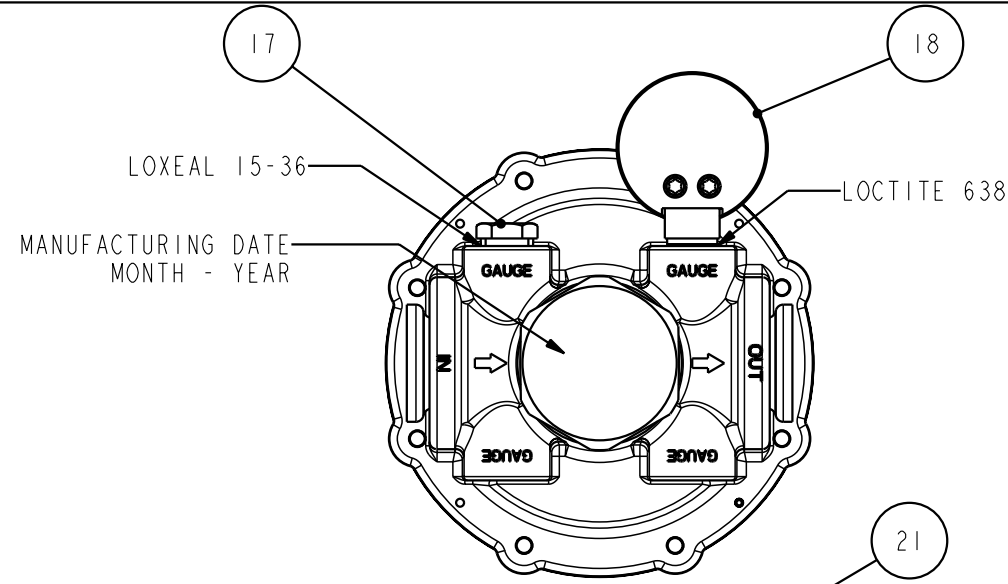


This drawing may not be copied or distributed in any way without the written permission of Cavagna Group Div. RE.CA. Via Matteotti, 5 - Calvisano - BS - Italy



**948HP - 06**  
**First stage HP regulator**  
**PROPANE**  
**0.5-2 bar 120 kg/h**  
**INLET: 3/4" NPT FEMALE**  
**OUTLET: 3/4" NPT FEMALE**

LABEL FOR SINGLE BOX

**948HP-06**  
**First stage HP regulator**  
**0.5-2 bar 120 kg/h**  
**INLET: 3/4" NPT FEMALE**  
**OUTLET: 3/4" NPT FEMALE**  
 Date:                      pcs per carton: 12

LABEL FOR EXPEDITION BOX



LABEL FOR REGULATOR

 <b>948HP-06</b>	<b>PROPANE</b>	<b>G.16/H.11</b>
	$P_m = P_d + 0.5 \pm 16 \text{ bar}$	$P_d = 0.5 \pm 2 \text{ bar}$
	<b>FLOW 120 kg/h</b>	<b>PRV = 0.8 \pm 3.2 bar</b>
	<b>EN 16129</b>	

NO	NO PRODUCT	DENOMINATION	Q.TY
1	00-1-950-0126	S/A PAINTED BODY RED RAL 3020	1
2	09-1-950-0154	S/A DIAPHRAGM WITH VDS FOR HP REGULATOR	1
3	16-1-150-0032	ORIFICE FOR HP REGULATOR - Ø9.5 MACHINED	1
4	04-1-110-0089	O-RING Ø14.5 X 1.78	1
5	06-1-950-0053	ADHERIZED SEAT DISK FOR HP REGULATOR	1
6	03-1-110-0219	LIMITER STROKE COMPONENT	1
7	19-1-110-0026	CUP M36x1.5 FOR HP REGULATOR	1
8	04-1-110-0123	O-RING Ø32.99 X 2.62	1
9	07-1-110-0433	SPRING FOR ORIFICE CLOSE	1
10	08-1-110-0069	SPRING RETAINER FOR HP REGULATOR	1
11	07-1-110-0426	SPRING FOR ADJUSTABLE REGULATOR 20 PSI (0-35 PSI)	1
12	01-1-950-0075	S/A PAINTED COVER RED RAL 3020	1
13	14-1-110-0049	SCREWS M5 - L=16mm	8
14	14-1-110-0059	ADJUSTING SCREW FOR HP REGULATOR	1
15	10-1-110-1013	NUT M8X1	1
16	10-1-110-1021	NUT 1/2" - 20UNF	1
17	19-1-110-0504	TAPPO 1/4 NPT	1
18	50-1-110-0007	MANOMETRO 0-4 bar	1
19	17-1-110-0085	FILTER FOR FLANGE Ø16	1
20	04-1-110-0091	O-RING Ø27 X 1.5	1
21	13-1-110-0092	HANDWHEEL FOR PROTECTION SCREW	1
22	32-2-110-0001	RIBATTINO JUMBO (ASS)	1
23	19-1-110-2086	THREAD PROTECTOR FOR 3/4"NPT	2
24	34-1-310-0206	LABEL FOR ADJUSTABLE REGULATOR TYPE 948HP-06	1
25	34-1-110-0857	INSTRUCTION FOR REGULATOR HP TYPE 94 AND 49 (PL)	1
26	23-1-210-0522	SINGLE-BOX FOR KOSAN+ REGULATOR	1
27	34-1-210-2333	LABEL FOR SINGLE BOX TYPE 948HP-06	1
28	23-1-510-0051	STANDARD BOX (R76)	1
29	34-1-210-2334	LABEL FOR EXPEDITION BOX TYPE 948HP-06	1

 <b>RECA</b>	<b>DENOMINATION</b>		HP ADJUSTABLE REGULATOR (0.5-2 bar) WITH SAFETY				PROPANE 0.5-2 bar 120 kg/h	
	<b>MODEL</b>	<b>ORIFICE</b>	<b>INLET</b>		<b>OUTLET</b>	<b>SHARED</b>	<b>PROD. INT. GROUP</b>	
	948	9.5	3/4" NPT FEMALE		3/4" NPT FEMALE	N.A.	-	
<b>PERFORMANCE DOC.</b>	<b>COUNTRY</b>	<b>COUNTRY SPECIFIC</b>	<b>WEIGHT</b>	<b>SCALE</b>	<b>MODIFY FILE</b>	<b>PRODUCT NO</b>		
94-007	POLONIA	EN 16129	1.802	1:2	DM06020	94-1-890-0006		
<b>PROD. EVOLUTION</b>	<b>PROJECT NO</b>	<b>RELEASE LEVEL</b>	<b>DRAWN BY</b>	<b>VERIFIED BY</b>	<b>APPROVED BY</b>	<b>DATE</b>		
DEFINITIVE	DS05054	APPROVED+	CIGOLINI W.	TOMASELLI L.	SCHLICK B.	04/12/17	1	