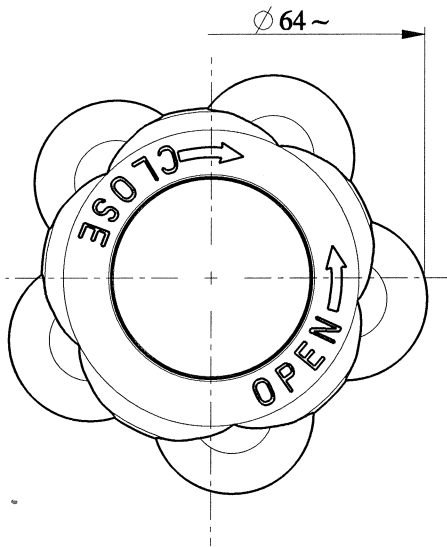


This drawing cannot be reproduced nor given to a third party without a written authorization by CAVAGNA GROUP DIV. PERGOLA S.r.l (ITALY)

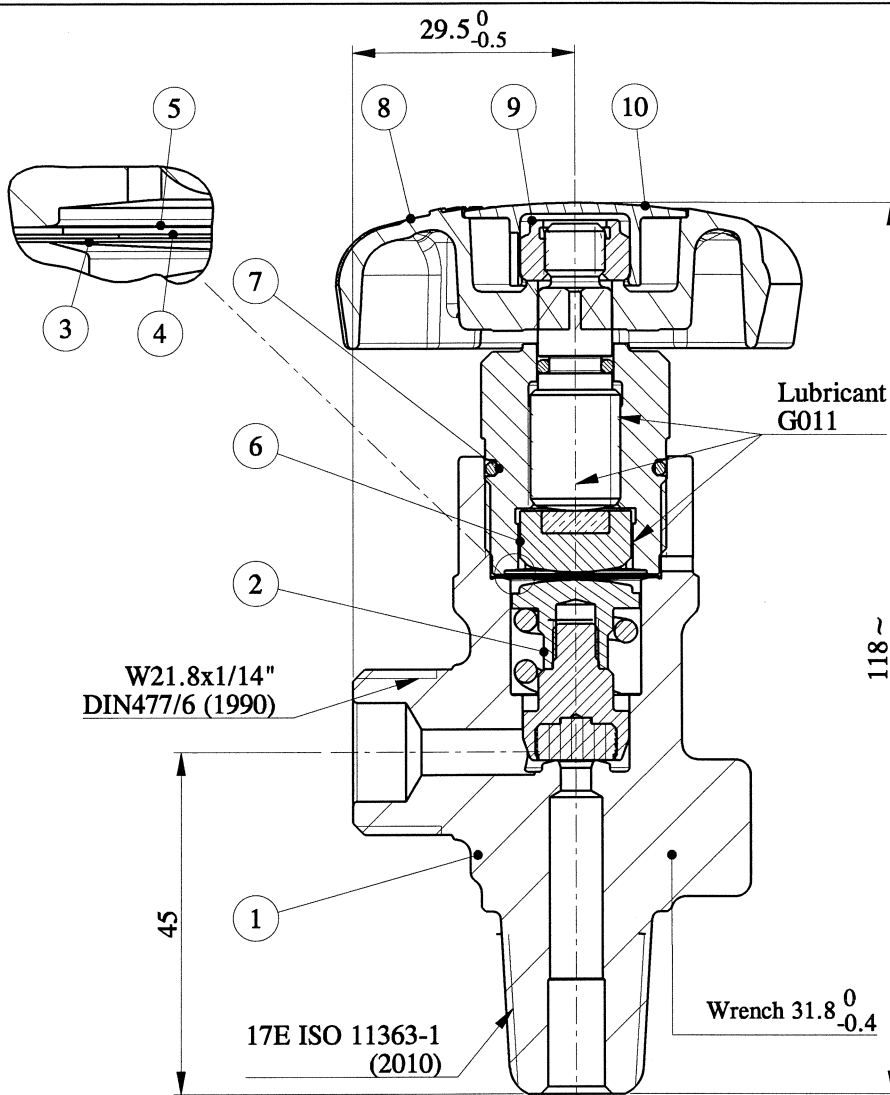


**Markings:**

- CAVAGNA GROUP symbol
- EU
- ISOV
- W21.8 DIN6
- 17E
- Year and Month of construction.  
(ex. 2009-01)
- MIX
- .... (Production order).
- GOST Symbol

Temperature range: -40° +65°C  
 Gland nut closure torque: 170-190 Nm  
 Orifice:  $\varnothing$  4 mm  
 W.P.:200 bar  
 HOMOLOGATION: L.42.179

**Materials**  
 Seat Pad: KEL-F  
 Toroidal ring: EPDM



10	Protection cap blue RAL5002	1	PA 6	1671101012
9	Nut M8 INOX	1	X5CrNiMo1712 (1.4401 AISI316)	1071100164
8	Handwheel	1	EN AC-AISI11Cu2(Fe) UNI EN 1706	0271103032
7	Assembled spindle for diaphragm valve	1	-	1379500243
6	Assembled exagonal nut	1	-	1579500019
5	Disc	2	Stainless steel	1571101119
4	Diaphragm disc	3	Stainless steel	1571100363
3	Diaphragm disc	1	Hastelloy	1571101142
2	Assembled piston	1	-	0379500259
1	Body	1	Stainless steel AISI 316 L	0171506765
POS	DENOMINATION	Q.	MATERIAL	DRAW NR.

<b>DESCRIPTION</b>		<b>Diaphragm valve In. 17E Out. W21.8 DIN6</b>										
 <b>pergola</b>	GEN. TOLL. ±		GEN. FILL. R		ANG. TOLL. ±		DRAFT		SCALE 1:1		SHEET 1 /1	
	RESPONS.		DRAWN			ISSUE			MATERIAL			
	DATE		20-01-11			20-01-11			-			
	SIGNATURE		Campadelli			Cazzago			-			
	ACTIVITY	NUMBER	11224		PROJECT	08708		DRAW NUMBER				
	SIGN.	Treccani		REFERENCE	-		<b>VDA5NMX007</b>					
	INDEX	A2		XXXXXX	XXXXXX							