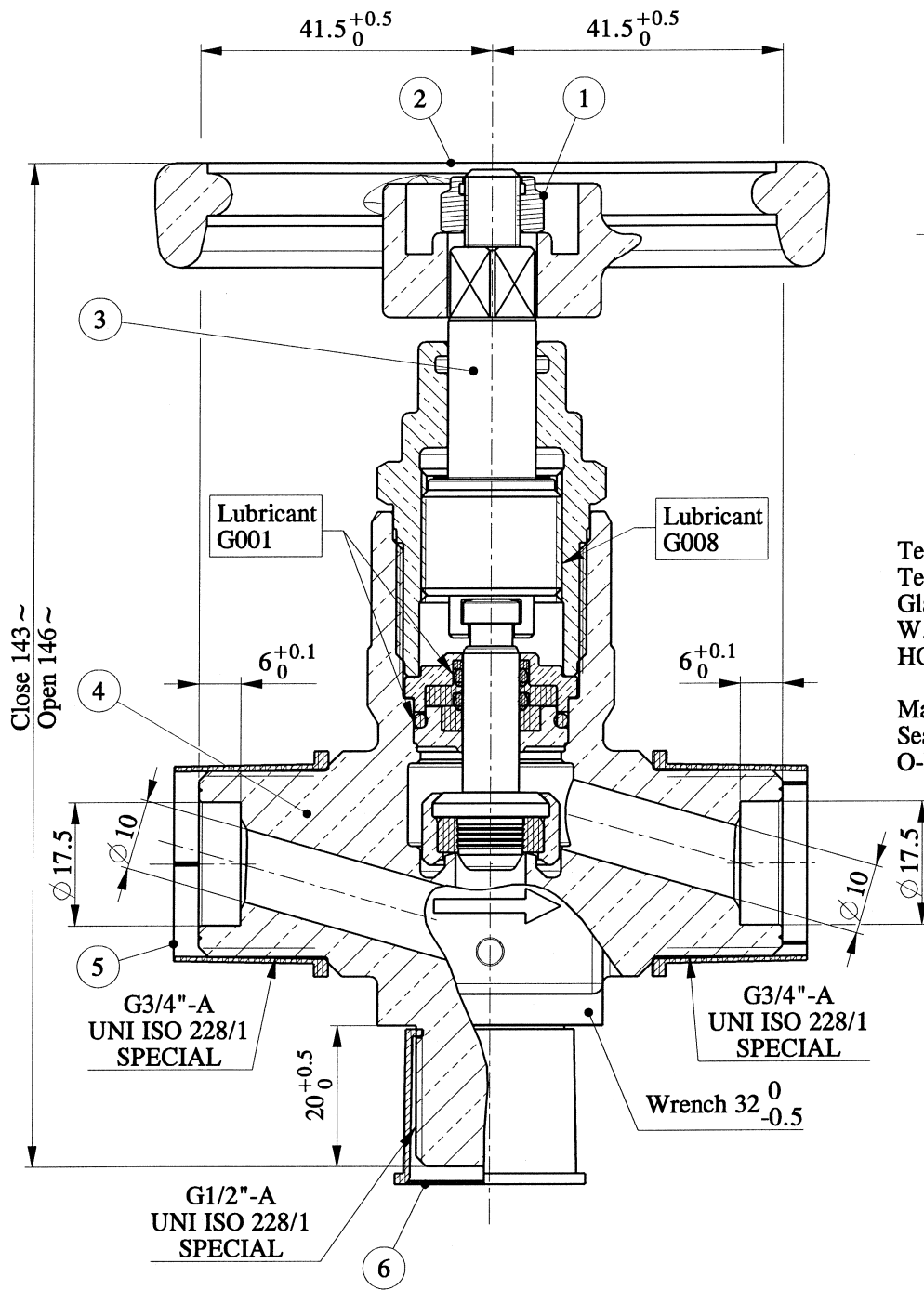
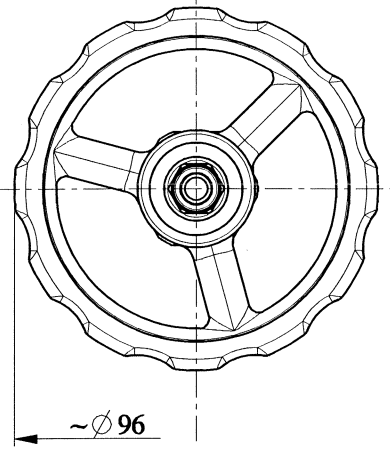


This drawing cannot be reproduced nor given to a third party without a written authorization by CAVAGNA GROUP DIV. PERGOLA S.r.l (ITALY)


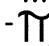
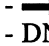


SCALE 1:2




Technical information:
 Temperature range: -20° + 65°C
 Gland Nut closure torque: 75-90 Nm
 W.P.: 300 bar
 HOMOLOGATION: 2006/FF 046

Materials:
 Seat Pad: PA66
 O-Rings: EPDM

Marking:
 - CAVAGNA GROUP symbol 
 - ISO V
 - EU
 - G3/4"-A
 - Year and Month of construction (Es.: 2009-01)
 - (Production order)
 -  □□□□ (see 2001101736)
 -  →
 - DN 10
 - PN 300

6	Protection cap	1	Polyethylene	1601100523
5	Protection cap.	2	Polyethylene	1601100524
4	Body	1	Cu Zn40 Pb2 (CW617N) EN 12165	0171500701
3	Assembled Spindle	1	/	1379500078
2	Handwheel	1	GZn Al4 UNI EN 1774	0271103041
1	Nut M8 INOX	1	X5CrNiMo1712 (1.4401 AISI316)	1071100164
POS DENOMINATION			Q. MATERIAL	DRAW NR.

DESCRIPTION		Cut Off Valve for Oxygen (O2)					
		GEN. TOLL. ±/	GEN. FILL. R /	ANG. TOLL. ±/	DRAFT /	SCALE 1:1	SHEET 1 / 1
		RESPONS.	DRAWN	ISSUE	MATERIAL		
		DATE	08-03-04	27-07-04			
		SIGNATURE	Pluda	Ragnoli			
		ACTIVITY	NUMBER	PROJECT	21422	06209	DRAW NUMBER
	SIGN.	REFERENCE	Treccani	OSPI190003	VIA1LOS405		
	INDEX	WEIGHT	A8	1.226 Kg			