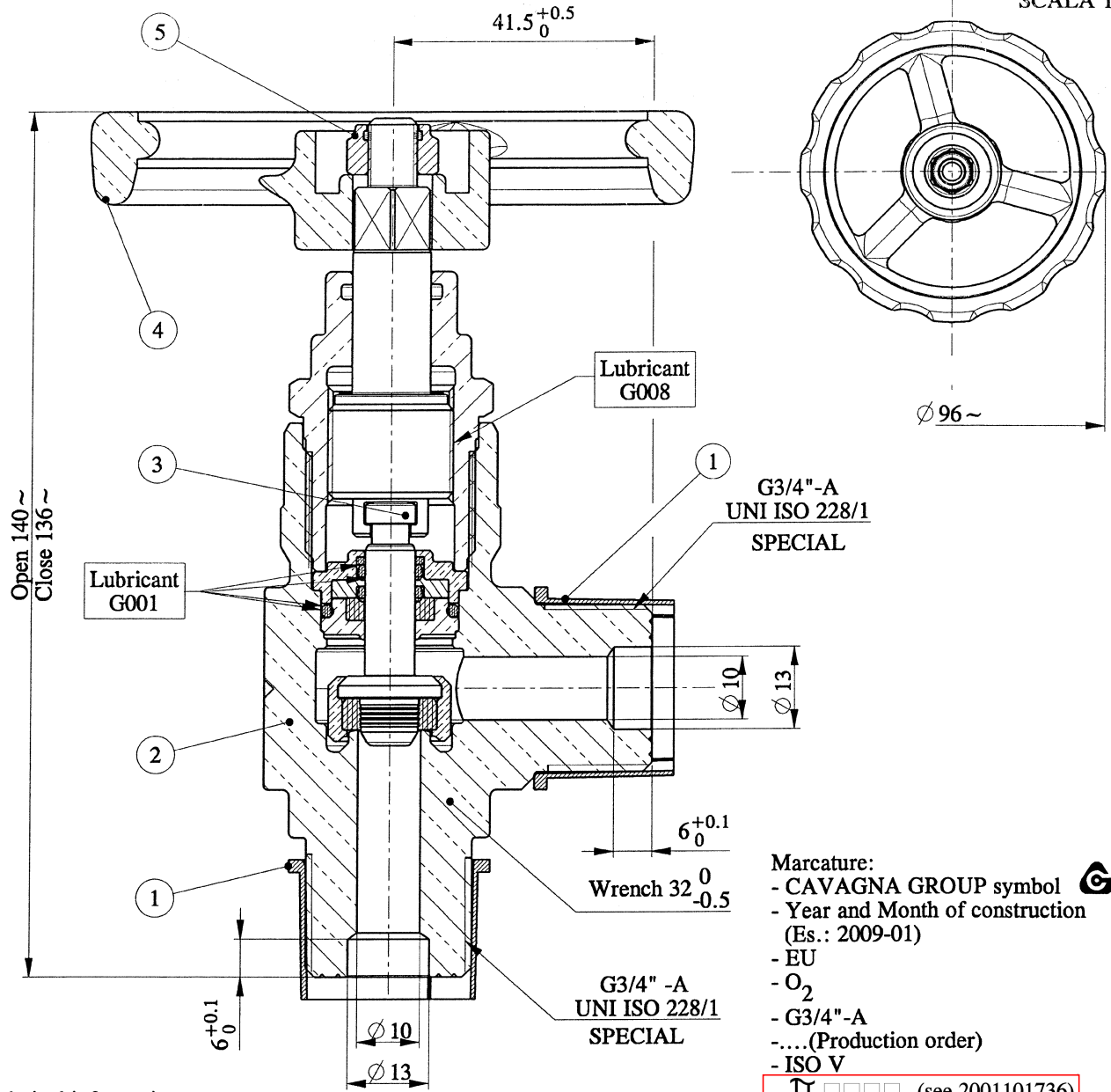


This drawing cannot be reproduced nor given to a third party without a written authorization by CAVAGNA GROUP DIV. PERGOLA S.r.l (ITALY)

SCALA 1:2



Technical information:
 Temperature range: -20° + 65°C
 Only if marked on valve: -40° +65°C
 Gland Nut closure torque: 75-90 Nm
 Homologation 2006/FF046

Materials:
 Seat Pad: PA66
 Toroidal rings: EPDM

- Marcature:**
- CAVAGNA GROUP symbol
 - Year and Month of construction (Es.: 2009-01)
 - EU
 - O₂
 - G3/4"-A
 - (Production order)
 - ISO V
 - (see 2001101736)
 - PN 300
 - DN 10

5	Nut M8 INOX	1	X5CrNiMo1712 (1.4401 AISI316)	1071100164
4	Handwheel	1	GZn Al4 UNI EN 1774	0271103041
3	Assembled Spindle	1	/	1379500078
2	Body	1	Cu Zn40 Pb2 (CW617N) EN12165	0171500758
1	Protection cap.	2	Polyethylene	1601100524
POS/DENOMINATION			Q. MATERIAL	DRAW NR.

DESCRIPTION		Cut Off Valve for Oxygen (O2)				
 pergola	GEN. TOLL. ±/	GEN. FILL. R /	ANG. TOLL. ±/	DRAFT /	SCALE 1:1	SHEET 1 / 1
	RESPONS.	DRAWN	ISSUE	MATERIAL		
	DATE	26-07-04	26-07-04			
	SIGNATURE	Pluda	Cazzago			
ACTIVITY	NUMBER	19708	PROJECT	04388	DRAW NUMBER	
	SIGN.	Treccani	REFERENCE	OSPI188403	VIA1LOS407	
	INDEX	A5	WEIGHT	1.099 Kg		