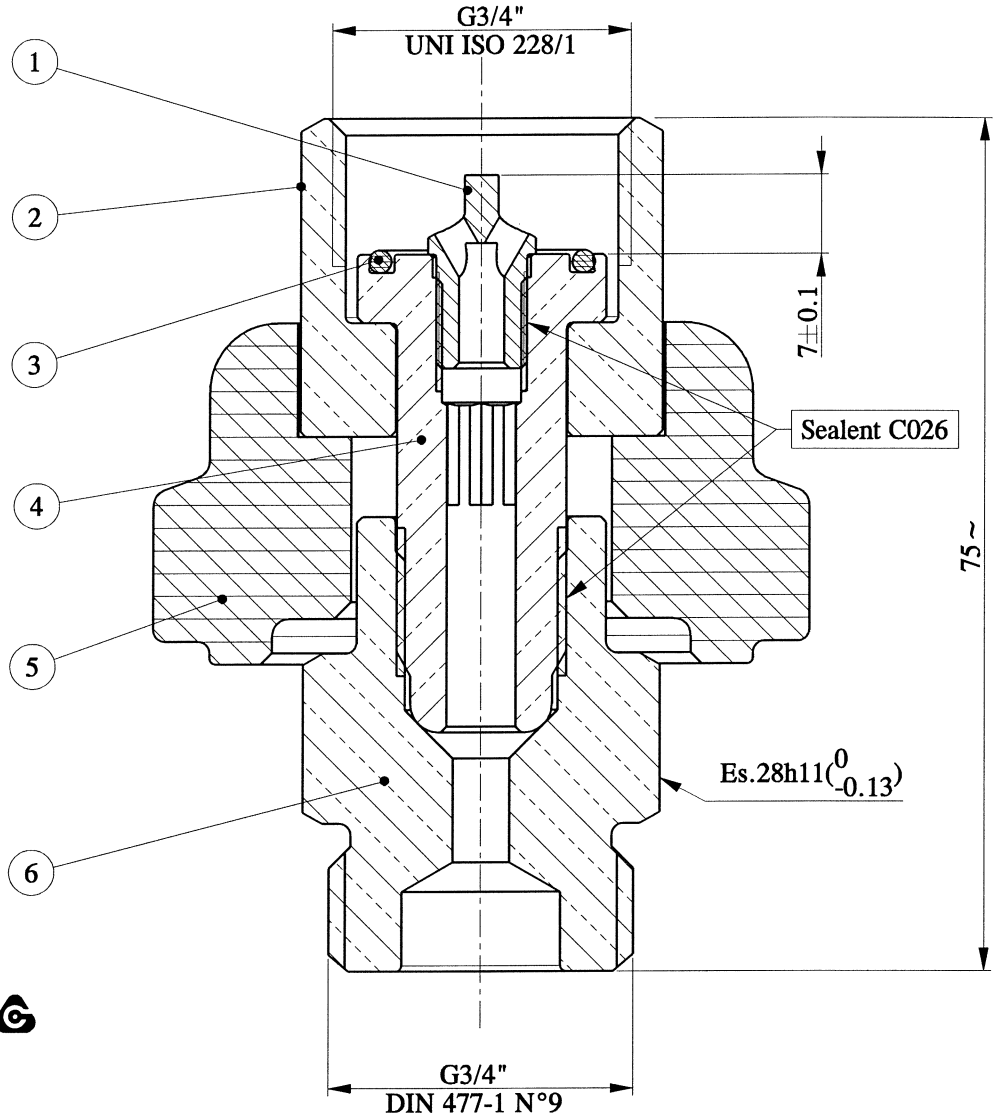


This drawing cannot be reproduced nor given to a third party without a written authorization by CAVAGNA GROUP DIV. PERGOLA S.r.l (ITALY)

**CLEANED FOR OXYGEN SERVICE**

**PACKAGED IN SINGLE BAG**



Marking on hexagon surface:

- CAVAGNA GROUP Symbol
- D9 (as per draw 4001102662)
- PN 300
- Year of construction (Ex 2016)
- .....(production order)
- IGV-IL

6	Nipple G3/4" DIN 477/9	1	Cu Zn39 Pb3 (CW614N) UNI EN12164	1671100597
5	Handwheel	1	PA 6 +15% F.V.	0271103505
4	Bullnose Nipple	1	Cu Zn39 Pb3 (CW614N) EN12164	1671100595
3	Toroidal ring	1	EPDM	0471100133
2	Gland Nut G3/4"	1	Cu Zn39 Pb3 (CW614N) EN 12164	1071100148
1	Piston	1	Monel 400 UNS NO4400 ASTM B164-98	0371106183
POS	DENOMINATION	Q.	MATERIAL	DRAW NR.

		<b>FILLING ADAPTER DIN 477-1 N°9 (G3/4")</b>					
		GEN. TOLL. ±-	GEN. FILL. R -	ANG. TOLL. ±-	DRAFT -	SCALE 3:2	SHEET 1 /1
ACTIVITY	RESPONS.	DRAWN		ISSUE		MATERIAL	
	DATE	08-01-16		08-01-16		-	
	SIGNATURE	Gamba		Treccani		-	
	NUMBER	17206	PROJECT	17206	DRAW NUMBER		
	SIGN.	Treccani	REFERENCE	-	<b>OSRA600200</b>		
	INDEX	A0	WEIGHT	0.625 kg			