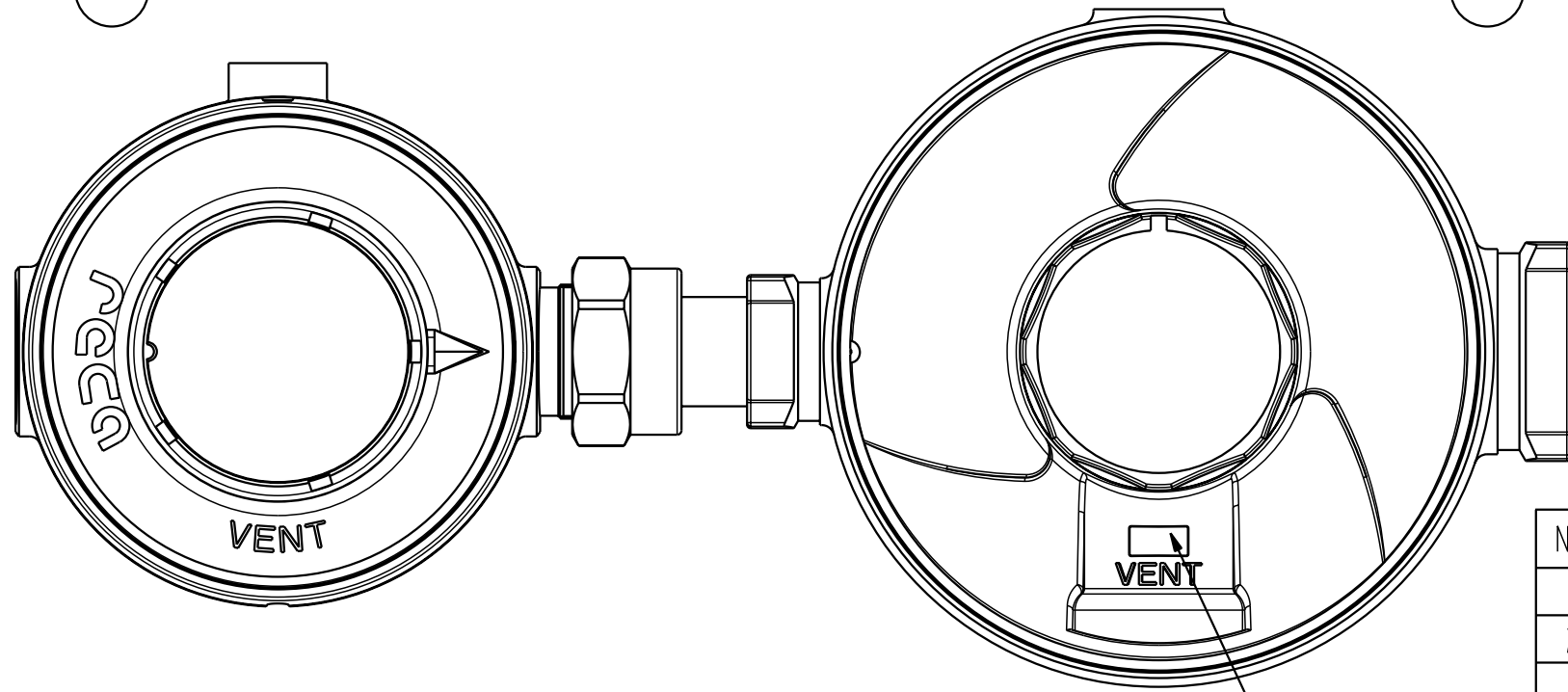
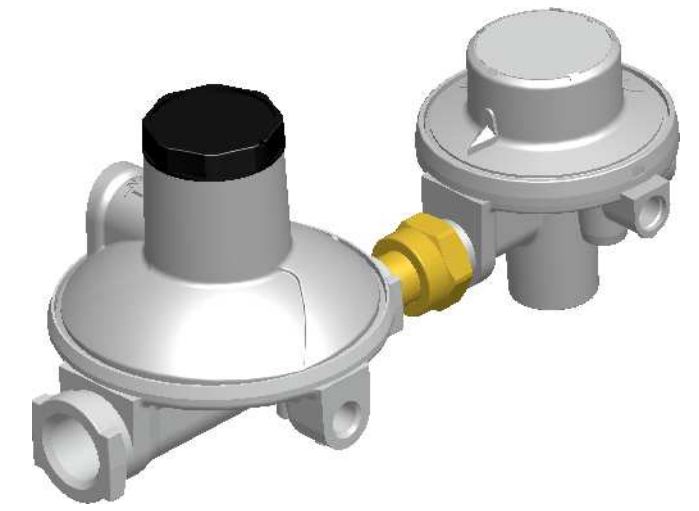
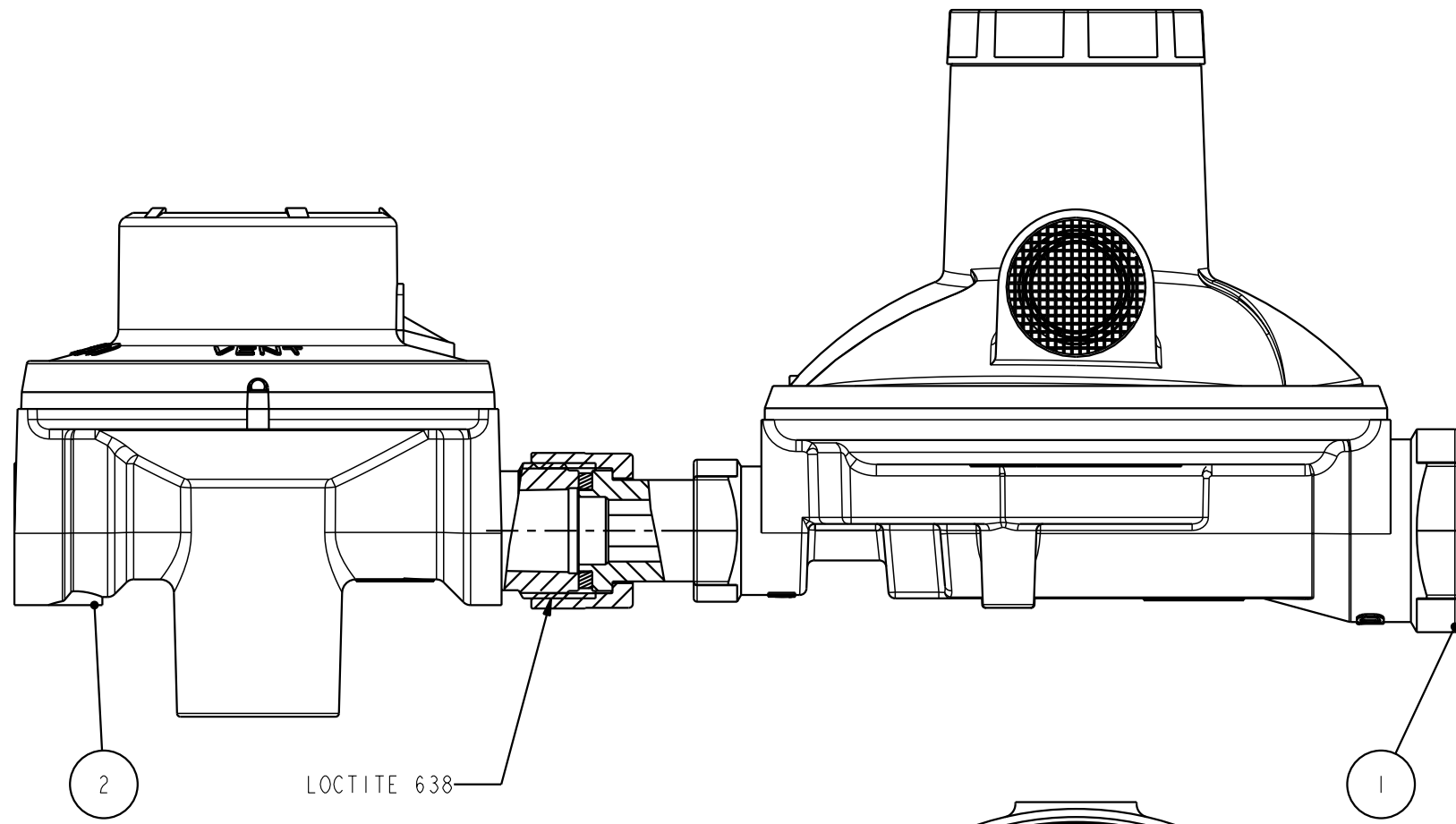
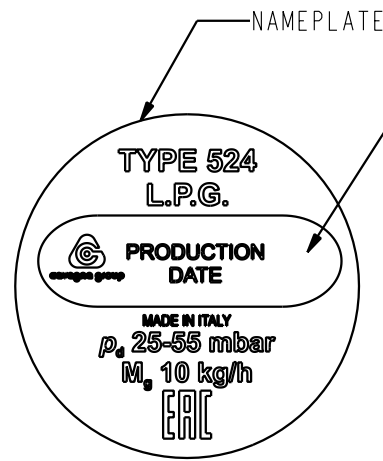
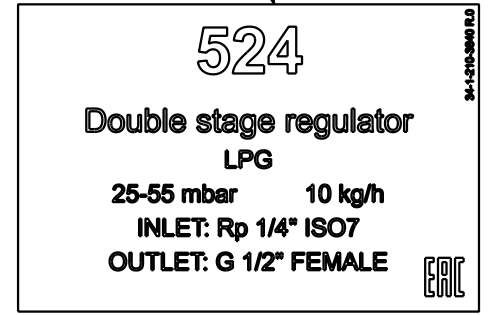


This drawing may not be copied or distributed in any way without the written permission of Cavagna Group Div. RE.CA. Via Matteotti, 5 - Calvisano - BS - Italy




LABEL FOR SINGLE BOX



MANUFACTURING DATE
MONTH (+4) - YEAR



NO	NO PRODUCT	DENOMINATION	Q. TY
1	73-1-950-0054	S/A SECOND STAGE REGULATOR (738)	1
2	90-1-950-0028	S/A HIGH PRESSURE REGULATOR	1
3	34-4-110-0016	INSTRUCTION	1
4	23-1-210-0216	STANDARD BOX	1
5	34-1-210-3836	LABEL FOR SINGLE BOX	1
6	23-1-510-0004	STANDARD BOX (R9)	1

	DENOMINATION DOUBLE STAGE REGULATOR - DOMESTIC - TYPE 524 LPG 25-55 mbar 10 kg/h WITH SAFETY						
	MODEL RECA 524	ORIFICE N.A.	INLET Rp 1/4 ISO7		OUTLET G 1/2 FEMALE	SHARED N.A.	PROD. INT. GROUP -
PERFORMANCE DOC. 623	COUNTRY N.A.	COUNTRY SPECIFIC N.A.	WEIGHT N.A.	SCALE 1:1	MODIFY FILE N.A.	PRODUCT NO 52-1-490-0059	REV 0
PROD. EVOLUTION DEFINITIVE	PROJECT NO DS06281	RELEASE LEVEL APPROVED	DRAWN BY PEDRINI M.	VERIFIED BY TOMASELLI L.	APPROVED BY SCHLICK B.	DATE 07/05/18	