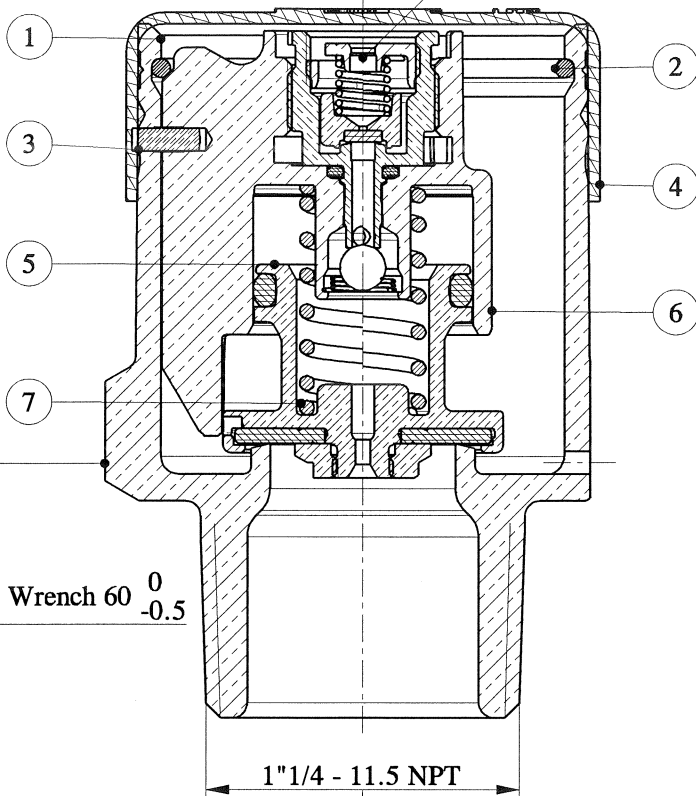


This drawing cannot be reproduced nor given to a third party without a written authorization by CAVAGNA GROUP DIV. OMECA S.p.a (ITALY)

PV check-lock: 15,6 bar (PV - type E)



Markings on valve:

- OMECA
- Month (from 1 to 9 until september and O-N-D for the others three months) and two last figures of year of construction (H=4mm min.)
- PV 24-0232
- 15,6 bar
- 88 m³/min - 120%
- - 40°C

CE (see 2001101737)

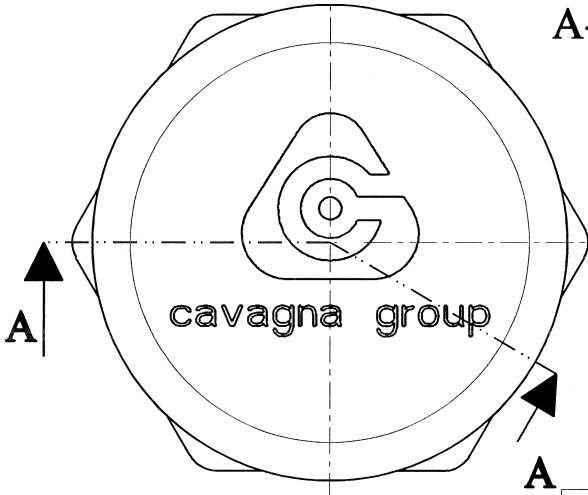
Markings on PV check-lock:

- Cavagna Group symbol
- E (set pressure code)
- Month (from 1 to 9 until september and O-N-D for the others three months) and two last figures of year of construction

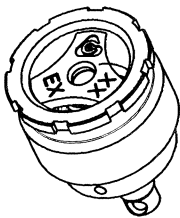
Wrench 60 ⁰/_{-0.5}

1"1/4 - 11.5 NPT

A-A



PV check-lock:
spare part 0109500222 - type E



7	Spring	1	0701100459
6	Assembled guide	1	1609500239
5	Assembled seal piston	1	0309500364
4	Cap - black color	1	1001105014
3	Pin	1	1401100009
2	Elastic ring	1	0501103029
1	Body	1	0101501633
POS	DENOMINATION	Q.	DRAW NR.

DESCRIPTION

Safety relief valve PV 24



GEN. TOLL. ±		GEN. FILL. R		ANG. TOLL. ±		DRAFT		SCALE 1:1		SHEET 1 / 1	
RESPONS.		DRAWN		ISSUE		MATERIAL					
DATE		13-01-16		13-01-16							
SIGNATURE		Bertoglio		Treccani							
ACTIVITY	NUMBER	19208		PROJECT	2400/0/3/0		DRAW NUMBER				
	SIGN.	Treccani		REFERENCE	-		7000900232				
	INDEX	A1		XXXXX	XXXXX						