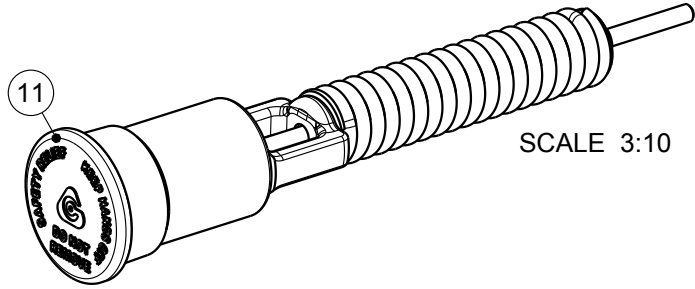
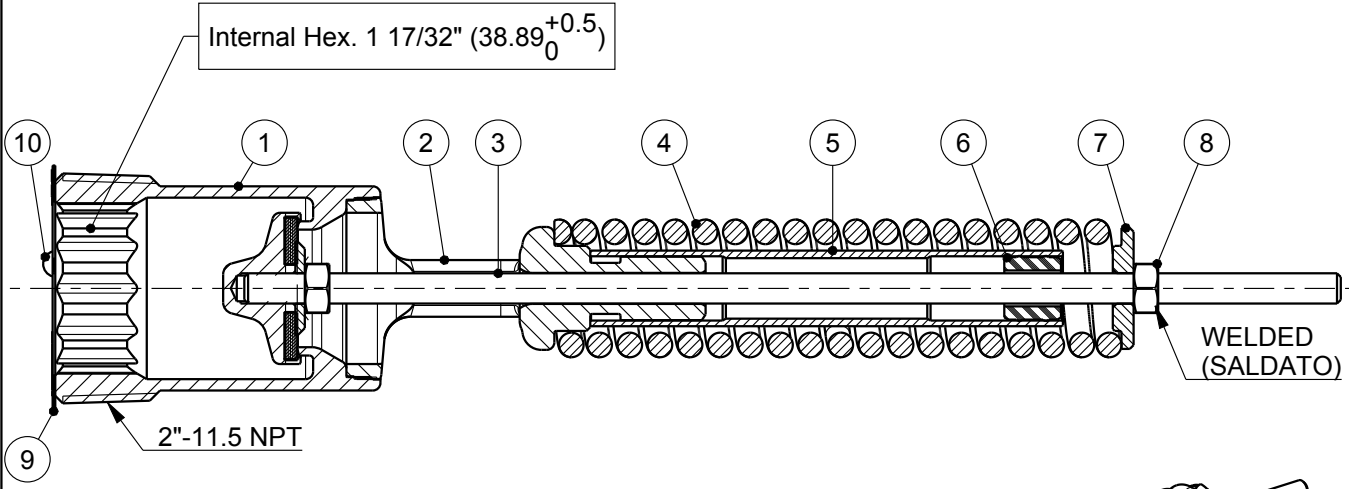


This drawing cannot be reproduced nor given to a third party without a written authorization by CAVAGNA GROUP (ITALY)



SCALE 3:10

Flow capacity

66-1300
2 INCH

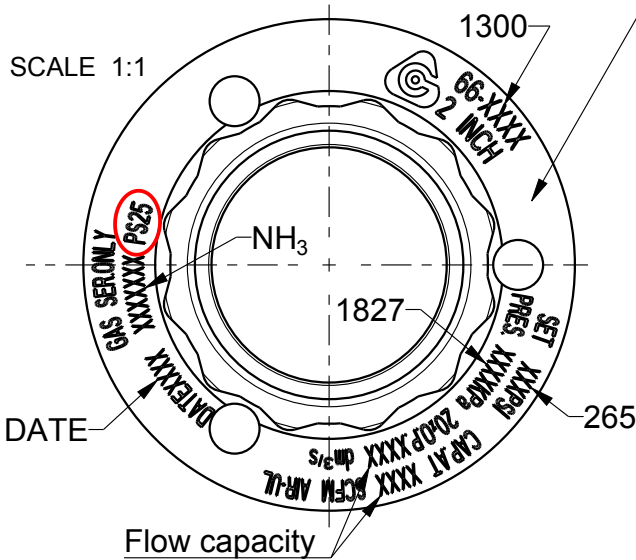


SET PRES. 265 PSI 1827 KPa CAP. AT 20% O.P. 4164 SCFM AIR-UL 1965 dm³/s
NH₃ GAS SER. ONLY DATE XX/XX

Simbolo C US secondo LISTED
dis.2001100013 (Ø 6 mm)

Markings: Y (year) two last figures of year of construction and number of week.
(Ex. Y13/47 = 47th week of 2013)

SCALE 1:1



11	Cap	1	1001105232
10	Hammer Drive Screw	3	1401100013
9	Sign Plate punched	1	2001101649
8	M8 Nut-UNI 5588	1	1001105230
7	Disc retainer	1	1501101215
6	Guide	1	1601105619
5	Tube	1	1201101726
4	Spring	1	0701100517
3	Assembled piston	1	0309501071
2	Connection	1	1601105617
1	Body	1	0101100132
POS	DENOMINATION	Q.ty	DRAW NR.

DESCRIPTION		Relief valve type 661300					
	GEN. TOLL. ± -	GEN. FILL. R -	ANG. TOLL. ± -	DRAFT -	SCALE 1:2	SHEET 1/1	
	RESPONS.	DRAWN	ISSUE	MATERIAL			
	DATE	03-05-18	03-05-18				
	SIGNATURE	Sabbioni	Treccani				
	ACTIVITY	NUMBER	PROJECT	DRAW NUMBER			
		SIGN.	REFERENCE	6602901300			
	INDEX	WEIGHT Kg.					

Special characteristics: Critical/Critico Major/Primario Minor/Secondario

changes id from previous index