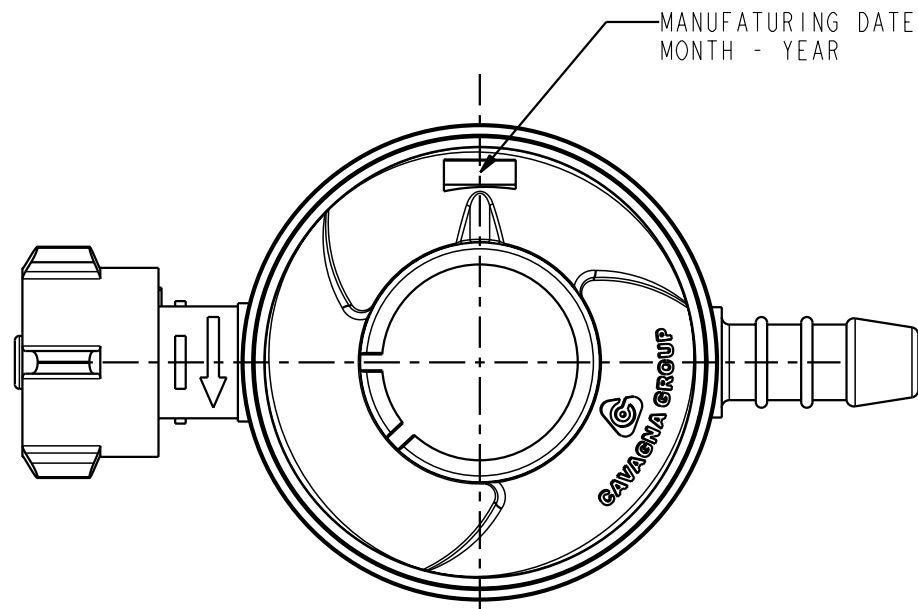
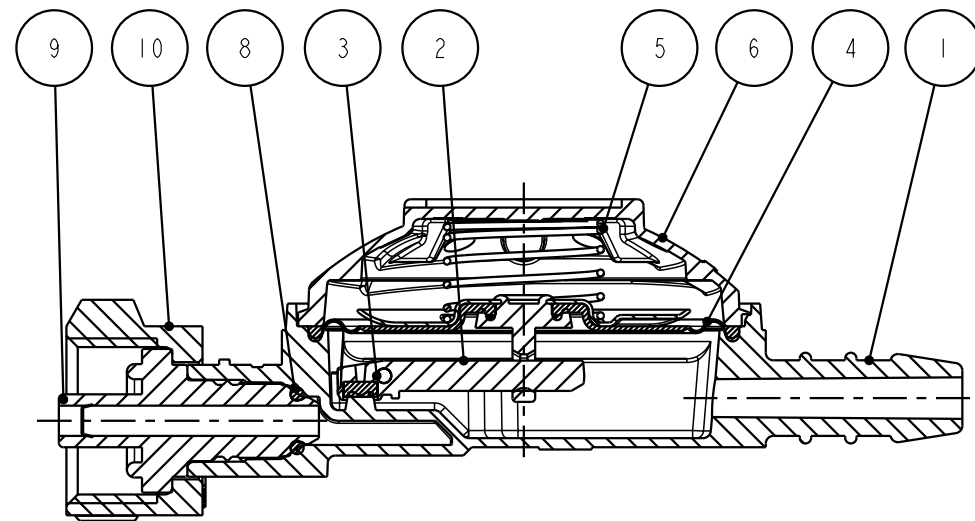
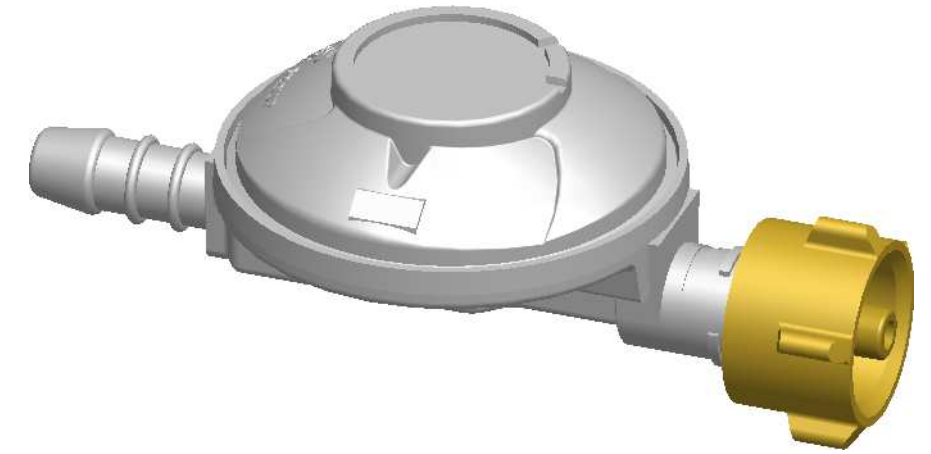
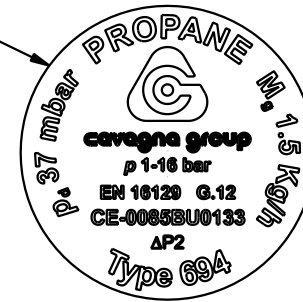


INK STAMP



NO	NO PRODUCT	DENOMINATION	Q.TY
1	00-1-121-0325	BODY TYPE 69-K6 HN POLAND	1
2	02-1-950-0021	STANDARD SUB ASSAMBLED ROCKER ARM	1
3	05-1-110-0001	STANDARD LEVER PIN	1
4	09-1-950-0097	S/A DIAPHRAGM NBR	1
5	07-1-110-0424	SETTING SPRING 37mbar	1
6	01-1-121-0186	COVER mod. Ø63 K6 A12	1
7	24-1-110-0001	WHITE ALUMINIUM RAL 9006	1
8	04-1-110-0502	O RING	1
9	16-1-950-0223	S/I RACCORDO	1
10	10-1-110-0110	CALOTTA W 21.8 X 1/14'' LINKS	1
11	18-1-310-0678	INK STAMP FOR TYPE 694	1
12	34-1-110-1106	INSTRUCTION FOR TYPE 694	1
13	23-1-021-0035	IMBALLO STANDARD FILM	1
14	23-1-510-0002	STANDARD BOX (R34)	1

	DENOMINATION					PROPANE 37 mbar 1.5 Kg/h	
	SINGLE STAGE REGULATOR						
RECA	MODEL	ORIFICE	INLET		OUTLET	SHARED	PROD. INT. GROUP
	694	1.6	KLF		HN 12	N.A.	-
PERFORMANCE DOC.	COUNTRY	COUNTRY SPECIFIC	WEIGHT	SCALE	MODIFY FILE	PRODUCT NO	
694-102	RUSSIA	EN 16129	0.210	1:1	N.A.	69-1-490-0066	
PROD. EVOLUTION	PROJECT NO	RELEASE LEVEL	DRAWN BY	VERIFIED BY	APPROVED BY	DATE	REV
DEFINITIVE	DS05267	APPROVED	PEDRINI M.	TOMASELLI L.	SCHLICK B.	20/05/15	1