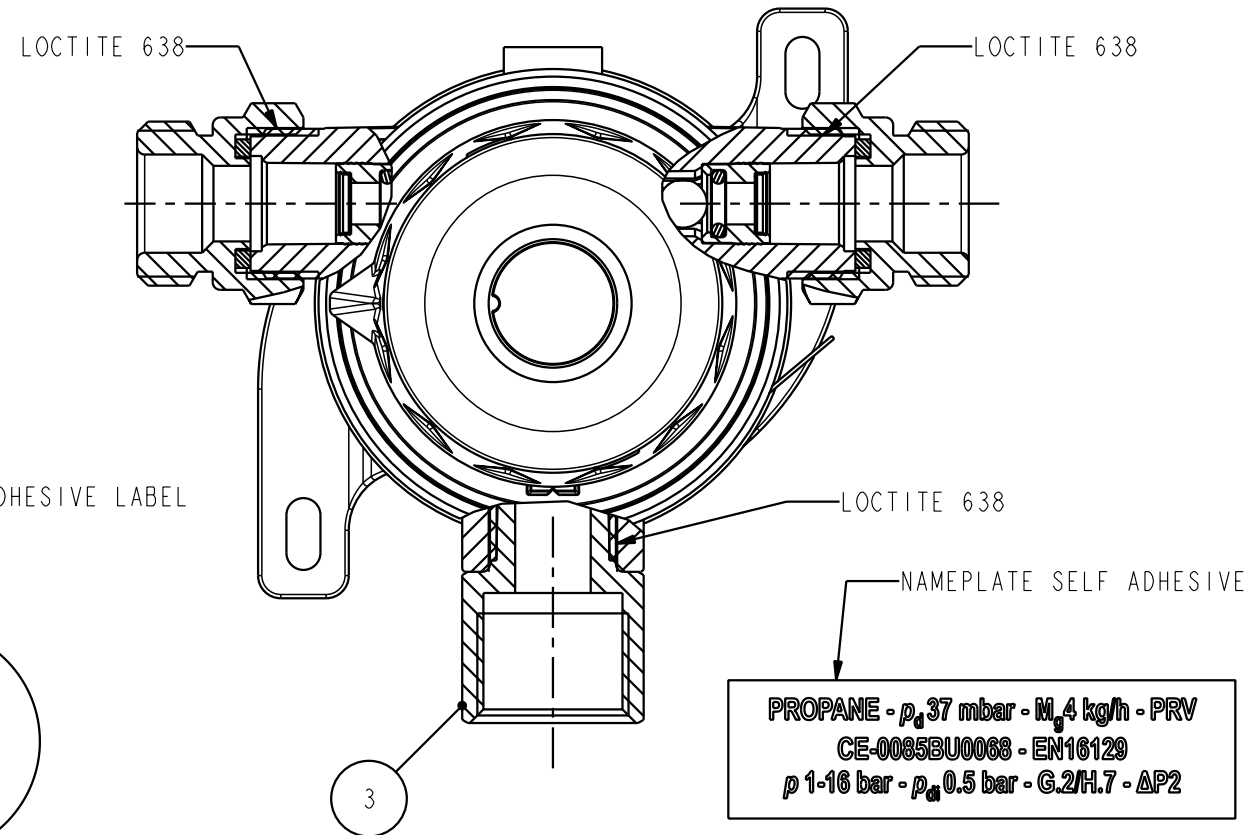
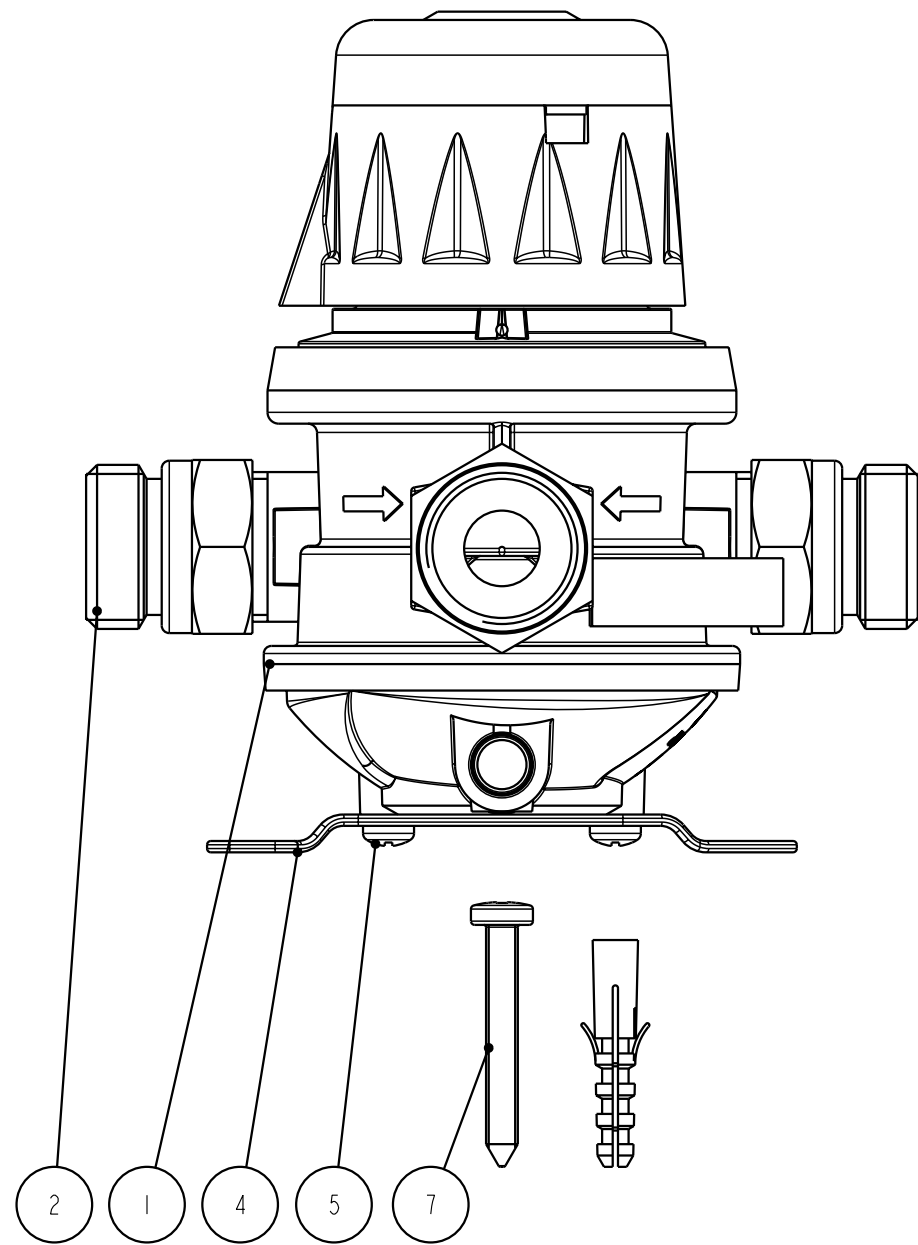
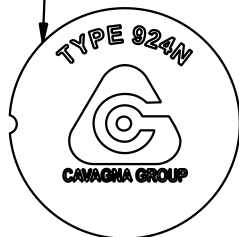


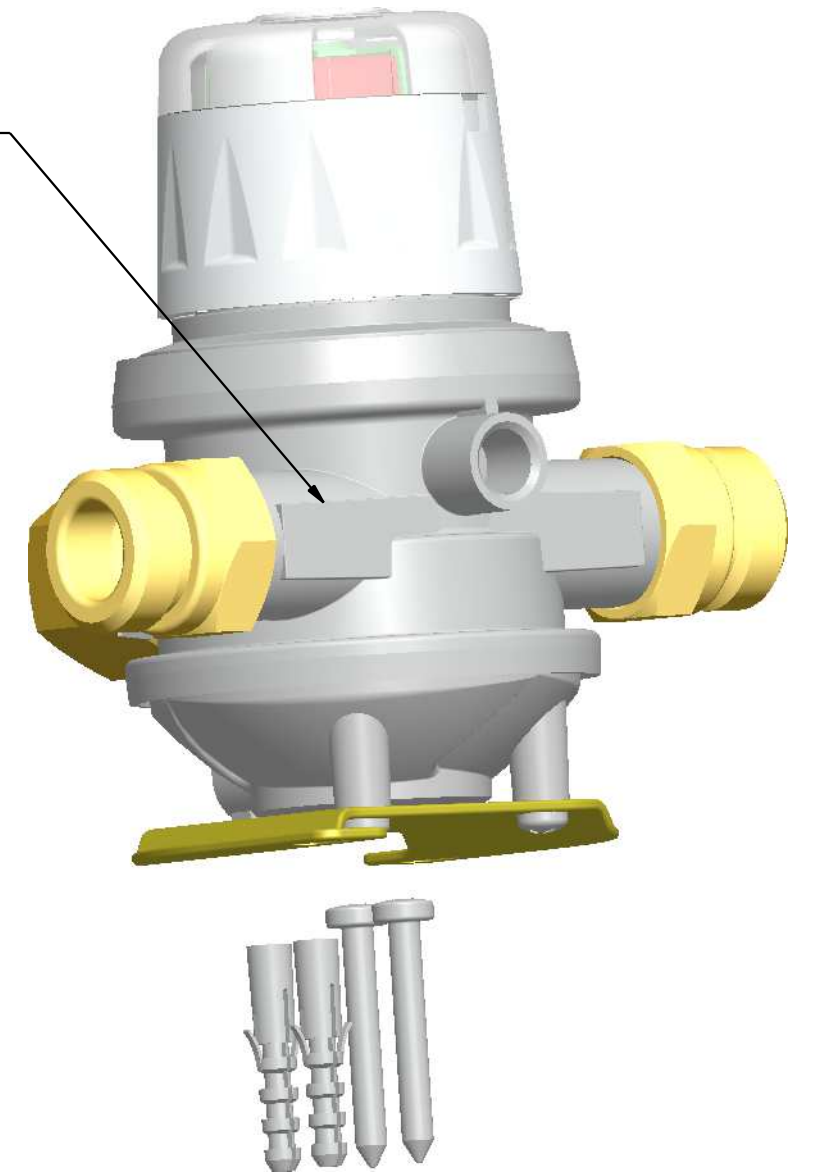
This drawing may not be copied or distributed in any way without the written permission of Cavagna Group Div. RE.CA. Via Matteotti, 5 - Calvisano - BS - Italy



SELF ADHESIVE LABEL



TO STAMP A PROGRESSIVE NUMBER OF WEEK AND YEAR OF PRODUCTION
TEXT HEIGHT 2.5 mm MIN



NO	NO PRODUCT	DENOMINATION	Q.TY
1	52-1-950-0059	S/A CHANGEOVER DOUBLE STAGE	1
2	16-1-950-0045	S/I RACCORDO	2
3	16-1-110-0638	ADAPTER G 3/8 MALE - G 1/2 FEMALE	1
4	17-1-110-0100	DOUBLE STAGE FIXING BRACKET	1
5	14-1-110-0002	VITE AUTOFILETTANTE	2
6	34-1-110-1269	INSTRUCTION FOR TYPE 924N	1
7	30-1-950-0002	S/A SCREW AND FISCHER	1
8	23-1-210-0080	STANDARD SINGLE BOX	1
9	34-1-210-2982	SINGLE BOX LABEL FOR TYPE 924N	1
10	23-1-510-0002	STANDARD BOX (R34)	1

	DENOMINATION		KIT COMPACT RV CHANGEOVER / REGULATOR				PROPANE 37 mbar 4 kg/h	
	MODEL	ORIFICE	INLET		OUTLET	SHARED	PROD. INT. GROUP	
RECA	528	N.A.	ø21.8x1.814 L.H.		G 1/2 FEMALE	N.A.	-	
PERFORMANCE DOC.	COUNTRY	COUNTRY SPECIFIC	WEIGHT	SCALE	MODIFY FILE	PRODUCT NO		
N.A.	N.A.	N.A.	N.A.	1:1	N.A.	52-1-890-0082		
PROD. EVOLUTION	PROJECT NO	RELEASE LEVEL	DRAWN BY	VERIFIED BY	APPROVED BY	DATE	REV	
DEFINITIVE	DS05475	APPROVED	PEDRINI M.	-	-	11/02/16	0	