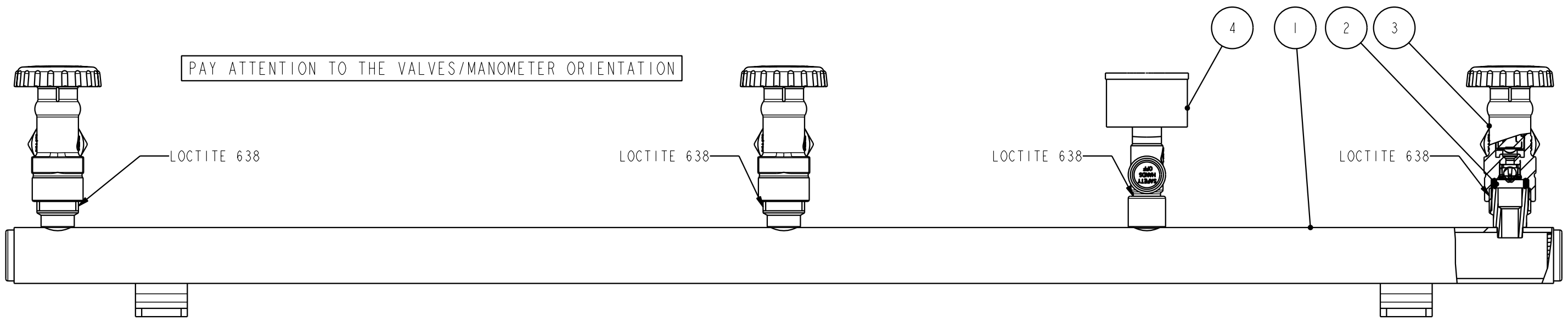
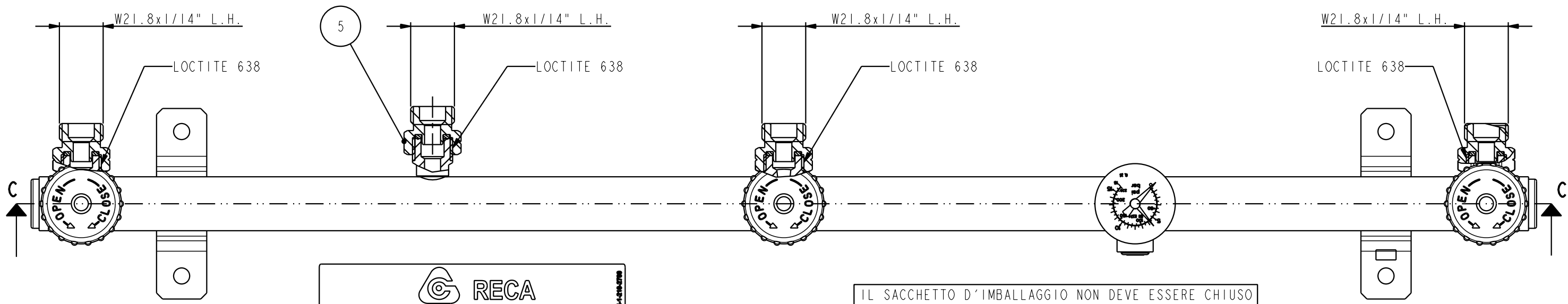


This drawing may not be copied or distributed in any way without the written permission of Cavagna Group Div. RE.CA. Via Matteotti, 5 - Calvisano - BS - Italy



SECTION C-C



SECTION A-A
D-D

IL SACCHETTO D'IMBALLAGGIO NON DEVE ESSERE CHIUSO

RECA
cavagna group

NS Code: 55-1-190-0021
VS Code: -

Description: MANIFOLD 3 VALVES WITH SAFETY VALVE AND GAUGE

INLET: W21.8x1/14" L.H.
OUTLET: W21.8x1/14" L.H.

Pcs per carton: //
Date: //

LABEL FOR EXPEDITION BOX

PERFORMANCE RICHIESTE

TENUTA APPARECCHIO	PERFETTAMENTE A TENUTA A 16 bar: PERDITA < 15 cc/h
PERDITA DI CARICO	< 20 mbar CON PRESSIONE DI 0.3 bar E PORTATA 2 kg/h SU OGNI SINGOLA VALVOLA
APERTURA VDS	17.65 bar ± 5%
ANTIRITORNO VALVOLA	PERDITA < 200 cc/h CON PRESSIONE DA 0.3 bar A 16 bar

NO	NO PRODUCT	DENOMINATION	Q.TY
1	30-1-110-0353	S/A MANIFOLD (3 VALVE)	1
2	04-1-110-0136	GASKET (OMEGA CODE 0461100012)	3
3	80-6-190-0012	VALVE FOR ITALIAN MARKET	3
4	16-1-950-0333	S/A SAFETY VALVE FOR MANIFOLD	1
5	16-1-950-0379	S/A ADAPTER W20x1/14" FEMALE - W21.8x1/14" L.H. MALE	4
6	23-1-210-0622	PLASTIC BAG FOR MANIFOLD (210x1100)	1
7	23-1-510-0020	BOX 1100x800x815	1
8	34-1-210-2700	LABEL FOR EXPEDITION BOX (100x100)	1

	DENOMINATION		0.3-16 bar			
	MANIFOLD (3 VALVE) WITH ACCESSORIES					
RECA	MODEL N.A.	ORIFICE -	INLET ø21.8x1.814 L.H.	OUTLET W 21.8x1/14" MALE L.H.	SHARED N.A.	PROD. INT. GROUP -
PERFORMANCE DOC. N.A.	COUNTRY N.A.	COUNTRY SPECIFIC N.A.	WEIGHT N.A.	SCALE 1:2	MODIFY FILE N.A.	PRODUCT NO 55-1-190-0021
PROD. EVOLUTION DEFINITIVE	PROJECT NO DS05268	RELEASE LEVEL APPROVED	DRAWN BY PEDRINI M.	VERIFIED BY TOMASELLI L.	APPROVED BY SCHLICK B.	DATE 15/04/15
						0